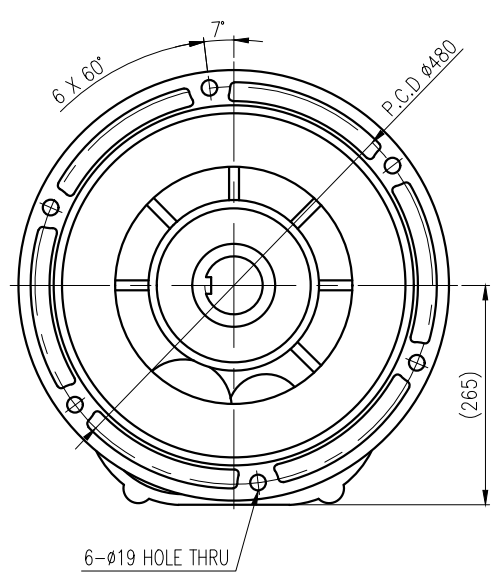
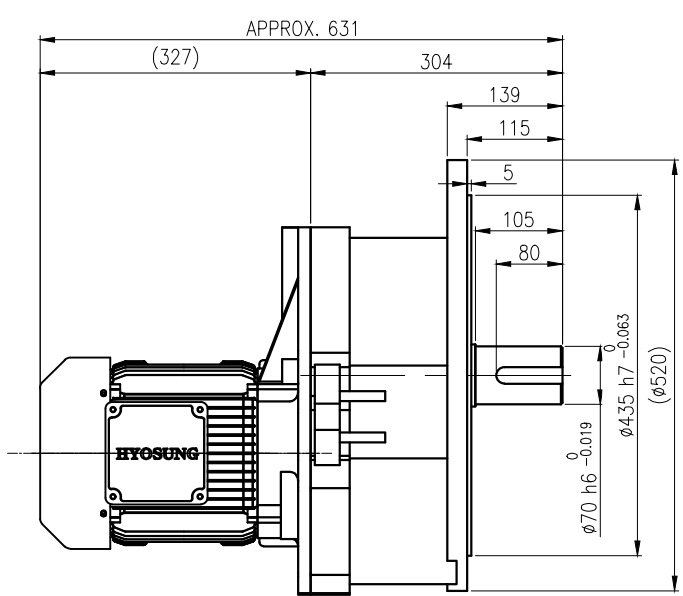
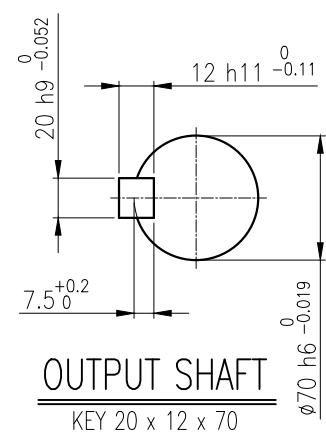
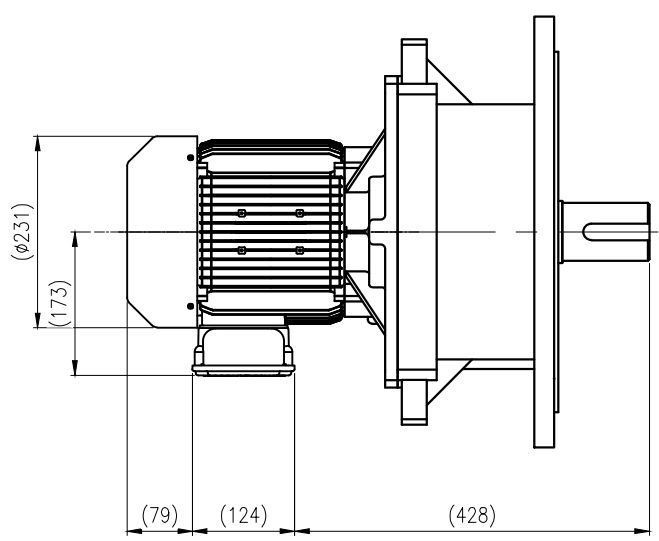


1	2	3	4	5
No.	NAME	MATERIAL	DWG/MATL No.	CODE
				Q'TY
				0
			SIZE	WEIGHT
				REMARK



		BEARING			
		INPUT SHAFT	6206ZZ	6207ZZ	
OIL SEAL		2ND PINION	6306ZZ	6306ZZ	GREASE : NLGI(EP)00
MOTOR SHAFT	D(M) 35 x 47 x 7	3RD PINION	6307ZZ	6308ZZ	ABOUT 8.9 kg
OUTPUT SHAFT	D(M) 75 x 100 x 13	OUTPUT SHAFT	6311ZZ	21315	WEIGHT 178 kg

		DWG NAME				외형도 OUTLINE DIMENSION	
		DWG No.				UNIT	mm
		EYK2D0100777H0001				SCALE	1:1
No.	DATE	DESIGNER		CHECKED	REVIEWED	APPROVED	DATE
		KIM.S.M		KIM.S.M	JUNG.S.S	JUNG.C.S	2024-02-06
DESCRIPTION of REVISION		DESIGNED		2024.02.06	2024.02.06	2024.02.06	2024.02.06
HYOSUNG HEAVY INDUSTRIES		KIM.S.M		KIM.S.M	JUNG.S.S	JUNG.C.S	REVISION No. 00
TYPE		F1VA_27_3.7kW_75~120:1_프리미엄		THIRD ANGLE PROJECTION			
		REF. No.				(EK2D007784H0001)	
						(A)	

The information written in this drawing is HYOSUNG HEAVY INDUSTRIES's property, and may not be disclosed and/or reproduced without the prior official permission of HYOSUNG HEAVY INDUSTRIES Corp.

이 도면상에 표시된 정보는 호성중공업(주)의 소유이며 영사의 사전 서면동의 없이 무단사용을 금합니다.