

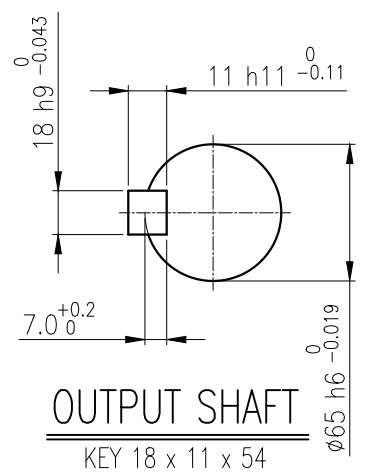
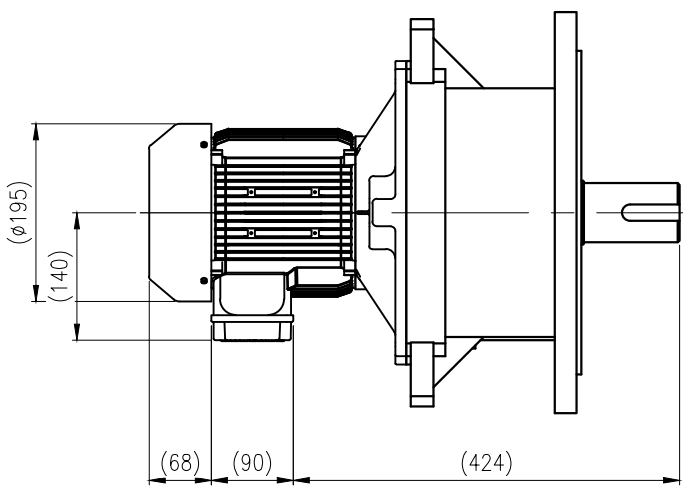
	1	2	3	4	5
No.	NAME	MATERIAL	DWG/MATL No.	CODE Q'TY	SIZE WEIGHT REMARK
				0	

A

A

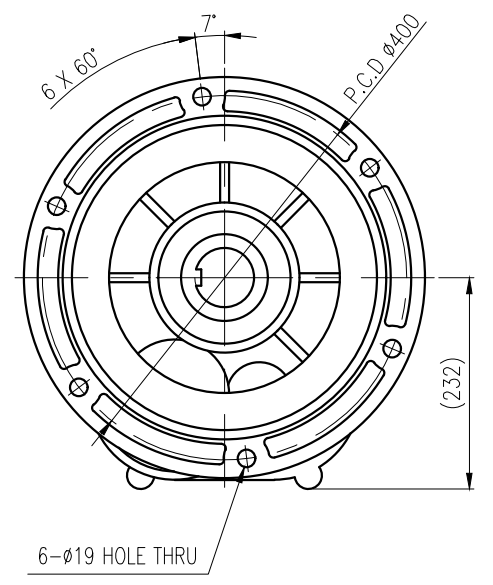
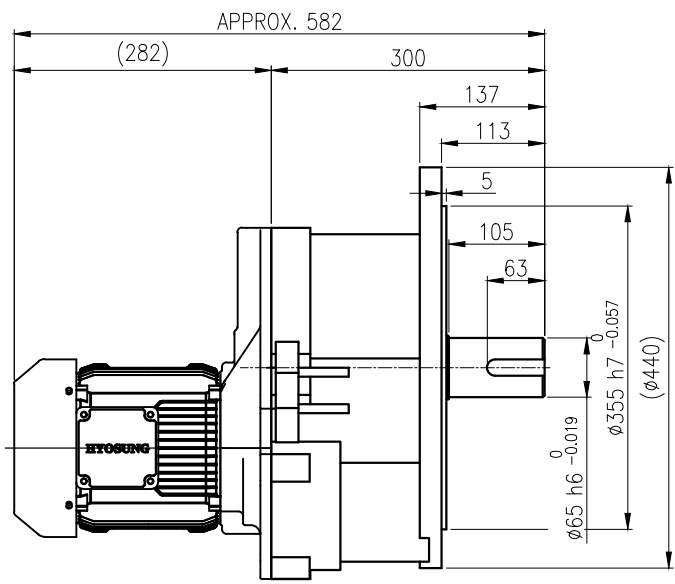
B

B



C

C



D

D

E

		BEARING				
		INPUT SHAFT	6204ZZ	6205ZZ		
OIL SEAL		2ND PINION	6204ZZ	6205ZZ	GREASE : NLGI(EP)00	
MOTOR SHAFT	D(M) 25 x 38 x 8	3RD PINION	6207ZZ	6309ZZ	ABOUT	7.0 kg
OUTPUT SHAFT	D(M) 70 x 95 x 13	OUTPUT SHAFT	PM5060	22214	WEIGHT	119 kg

F

		외형도 OUTLINE DIMENSION									
		DWG No. EK2D0100776H0001				UNIT	mm				
						SCALE	1:1				
No.	DATE	DESCRIPTION of REVISION				DESIGNED	CHECKED	REVIEWED	APPROVED	DATE	2024-02-06
A4(210x297mm)	FORM CE-14-0100-4A4 2013.11.20					2024.02.06	2024.02.06	2024.02.06	2024.02.06	REVISION No.	00
TYPE						F1VA_23_1.5kW_100~120:1_프리미엄	KIM.S.M	KIM.S.M	JUNG.S.S	JUNG.C.S	THIRD ANGLE PROJECTION
		REF. No.	(EK2D007783H0001)						(A)		

이 도면상에 표시된 정보는 표상용이며 (주)의 소유이며 영사의 사전 서면동의 없이 무단사용을 금합니다.