

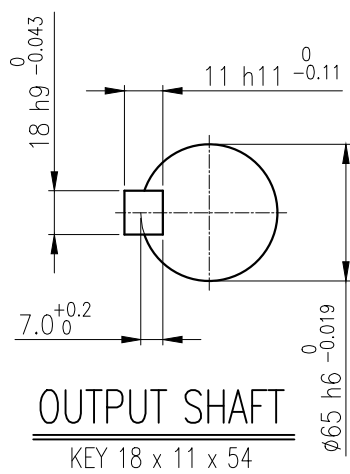
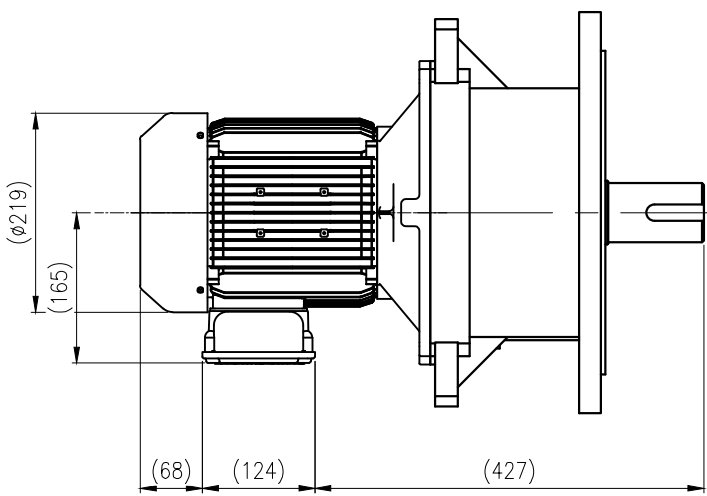
	1	2	3	4	5
No.	NAME	MATERIAL	DWG/MATL No.	CODE	Q'TY
					0
				SIZE	WEIGHT
					REMARK

A

A

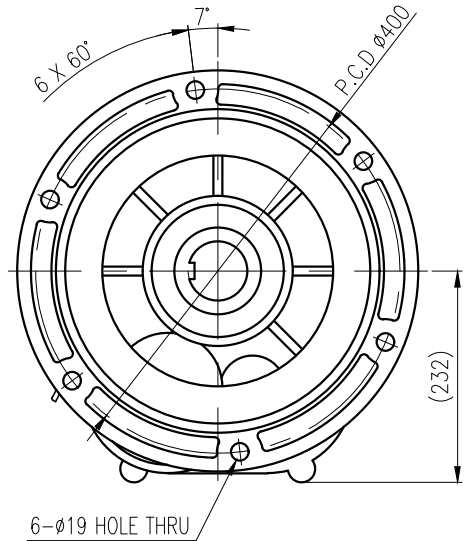
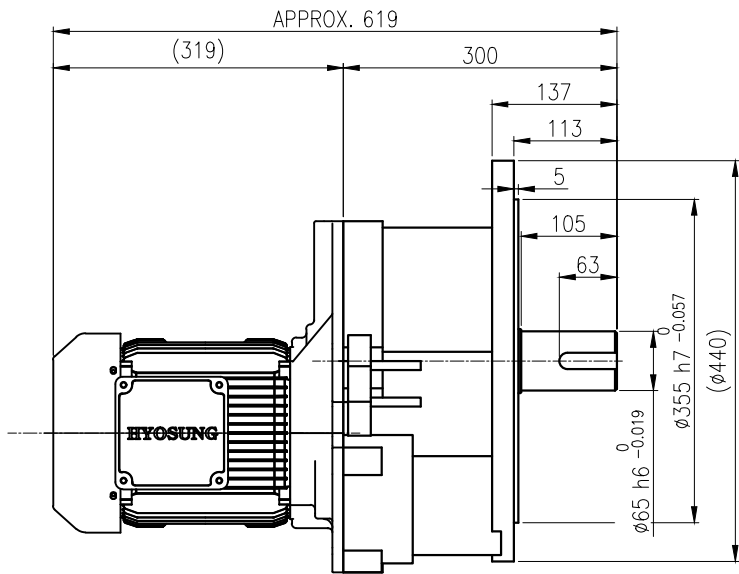
B

B



C

C



D

D

E

		BEARING			
		INPUT SHAFT	6205ZZ	6207ZZ	
OIL SEAL		2ND PINION	6205ZZ	6205ZZ	GREASE : NLGI(EP)00
MOTOR SHAFT	D(M) 35 x 47 x 7	3RD PINION	6207ZZ	6309ZZ	ABOUT 7.0 kg
OUTPUT SHAFT	D(M) 70 x 95 x 13	OUTPUT SHAFT	PM5060	22214	WEIGHT 130 kg

F

		외형도 OUTLINE DIMENSION					
		DWG No. EK2D0100775H0001		UNIT	mm		
				SCALE	1:1		
No.	DATE	DESCRIPTION of REVISION				DESIGNED	CHECKED
						REVIEWED	APPROVED
						DATE	2024-02-06
FORM A4(210x297mm) CE-14-0100-4A4 2013.11.20						DESIGNED	2024.02.06
		TYPE F1VA_23_2.2kW_75~90:1_프리미엄				CHECKED	2024.02.06
						REVIEWED	2024.02.06
						APPROVED	2024.02.06
						DATE	2024-02-06
						REVISION No.	00
						THIRD ANGLE PROJECTION	
						REF. No.	(EK2D007782H0001)
						(A)	

The information written in this drawing is HYOSUNG HEAVY INDUSTRIES's property, and may not be disclosed and/or reproduced without the prior official permission of HYOSUNG HEAVY INDUSTRIES Corp.

이 도면상에 표시된 정보는 포항중공업(주)의 소유이며 영사의 사전 서면동의 없이 무단사용을 금합니다.