

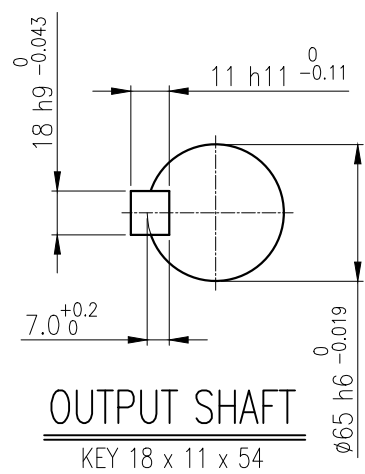
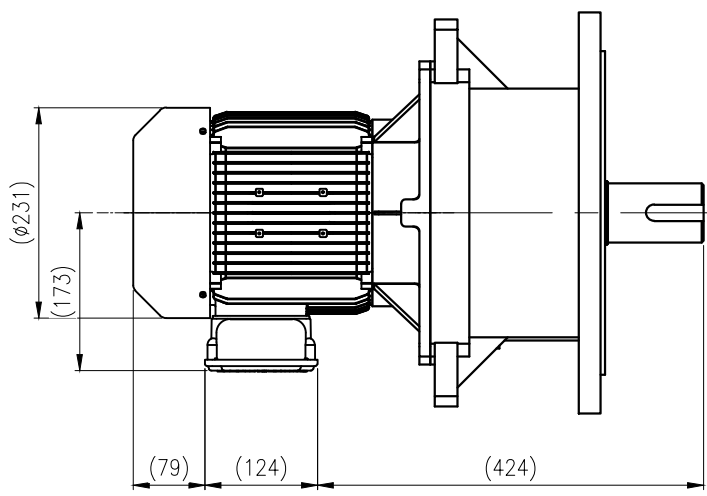
1	2	3	4	5				
No.	NAME	MATERIAL	DWG/MATL No.	CODE	Q'TY	SIZE	WEIGHT	REMARK
					0			

A

A

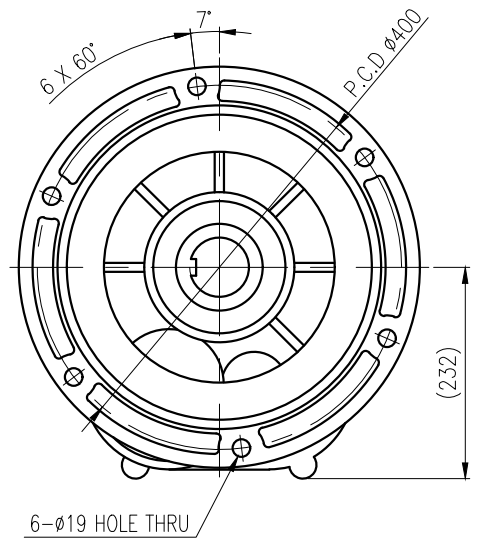
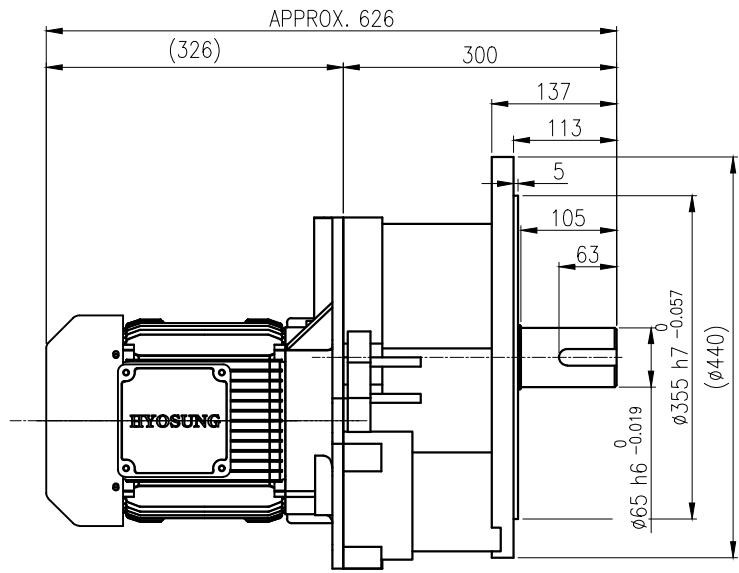
B

B



C

C



D

D

E

		BEARING			
		INPUT SHAFT	6206ZZ	6207ZZ	
OIL SEAL		2ND PINION	6207ZZ	6205ZZ	GREASE : NLGI(EP)00
MOTOR SHAFT	D(M) 35 x 47 x 7	3RD PINION	6207ZZ	6309ZZ	ABOUT 7.0 kg
OUTPUT SHAFT	D(M) 70 x 95 x 13	OUTPUT SHAFT	PM5060	22214	WEIGHT 134 kg

F

		외형도 OUTLINE DIMENSION			
		DWG No. EK2D0100774H0001		UNIT	mm
				SCALE	1:1
No.	DATE	DESIGNED	CHECKED	REVIEWED	APPROVED
		2024.02.06	2024.02.06	2024.02.06	2024.02.06
		KIM.S.M	KIM.S.M	JUNG.S.S	JUNG.C.S
		REVISION No. 00			
		THIRD ANGLE PROJECTION			
TYPE F1VA_23_3.7kW_60:1_프리미엄		REF. No. (EK2D007781H0001)			(A)

The information written in this drawing is HYOSUNG HEAVY INDUSTRIES's property, and may not be disclosed and/or reproduced without the prior official permission of HYOSUNG HEAVY INDUSTRIES Corp.

이 도면상에 표시된 정보는 표상용이며 (주)의 소유이며 영사의 사전 서면동의 없이 무단사용을 금합니다.