

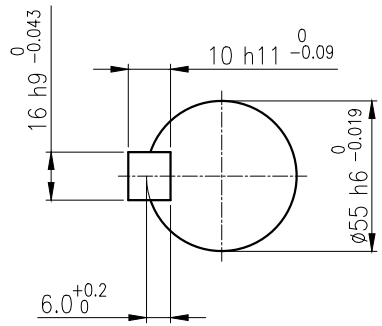
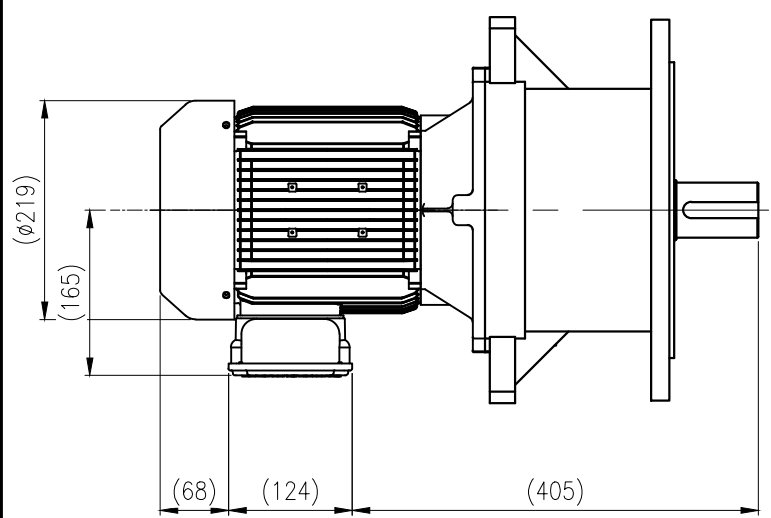
	1	2	3	4	5
No.	NAME	MATERIAL	DWG/MATL No.	CODE Q'TY	SIZE WEIGHT REMARK
				0	

A

A

B

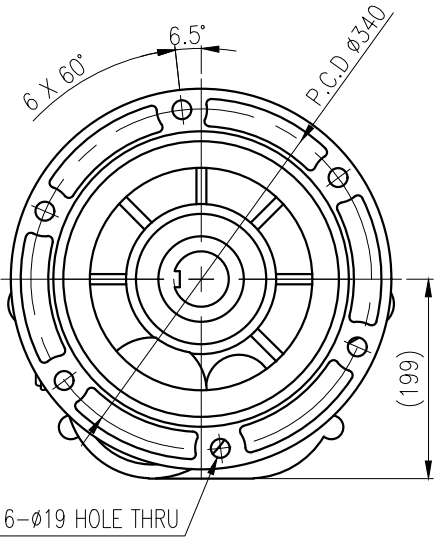
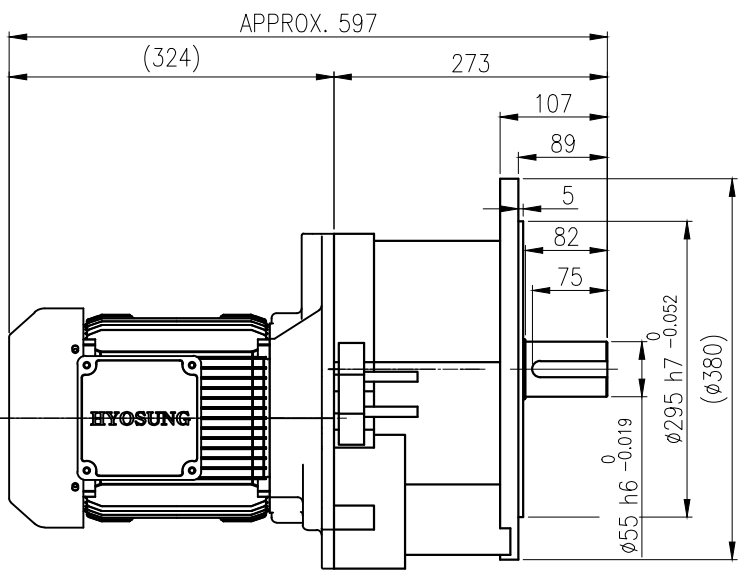
B



OUTPUT SHAFT
KEY 16 x 10 x 67

C

C



E

		BEARING		
		INPUT SHAFT	6205ZZ 6207ZZ	
	OIL SEAL	2ND PINION	6205ZZ 6204ZZ	GREASE : NLGI(EP)00
MOTOR SHAFT	D(M) 35 x 47 x 7	3RD PINION	6208ZZ 6308ZZ	ABOUT 4.1 kg
OUTPUT SHAFT	D(M) 60 x 85 x 12	OUTPUT SHAFT	PM4530 22212	WEIGHT 103 kg

F

		DWG NAME		외형도 OUTLINE DIMENSION			
		DWG No.		EK2D0100773H0001		UNIT	mm
						SCALE	1:1
No.	DATE	DESCRIPTION of REVISION		DESIGNED	CHECKED	REVIEWED	APPROVED
A4(210x297mm)	FORM CE-14-0100-444 2013.11.20			2024.02.06	2024.02.06	2024.02.06	2024.02.06
				KIM.S.M	KIM.S.M	JUNG.S.S	JUNG.C.S
		TYPE		F1VA_20_2.2kW_60~120:1_프리미엄		REVISION No.	00
		REF. No.		(EK2D007780H0001)		THIRD ANGLE PROJECTION	
						(A)	

이 도면상에 표시된 정보는 포항중공업(주)의 소유이며 영사의 사전 서면동의 없이 무단사용을 금합니다.