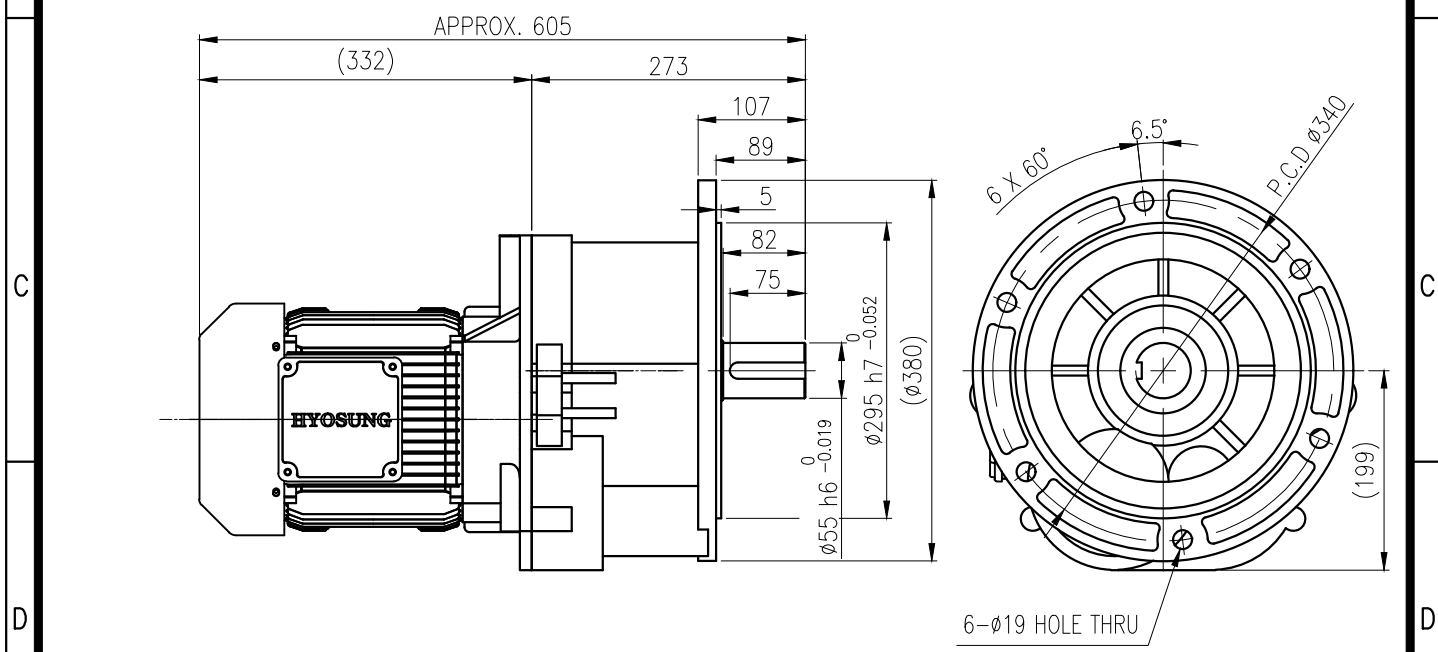
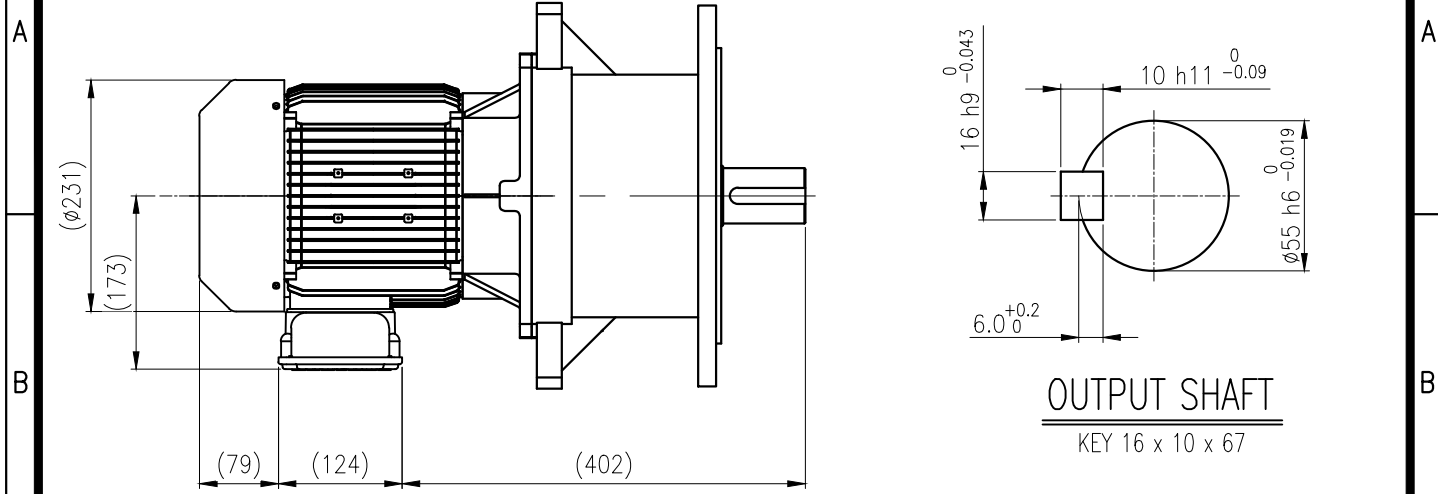


	1	2	3	4	5
--	---	---	---	---	---

No.	NAME	MATERIAL	DWG/MATL No.	CODE	Q'TY	SIZE	WEIGHT	REMARK
					0			



			BEARING		
			INPUT SHAFT	6206ZZ 6207ZZ	
			2ND PINION	6205ZZ 6204ZZ	GREASE : NLGI(EP)00
			3RD PINION	6208ZZ 6308ZZ	ABOUT 4.6 kg
			OUTPUT SHAFT	PM4530 22212	WEIGHT 108 kg
			OIL SEAL		
			MOTOR SHAFT	D(M) 35 x 47 x 7	

		DWG NAME		외형도 OUTLINE DIMENSION			
		DWG No.		E K 2 D 0 1 0 0 7 7 2 H 0 0 0 1		UNIT	mm
						SCALE	1:1
No.	DATE	DESCRIPTION of REVISION		DESIGNED	CHECKED	REVIEWED	APPROVED
				2024.02.06	2024.02.06	2024.02.06	2024.02.06
				KIM.S.M	KIM.S.M	JUNG.S.S	JUNG.C.S
		REVISION No.		00			
		THIRD ANGLE PROJECTION					
		TYPE		F1VA_20_3.7kW_40~60:1_프리미엄		REF. No.	
						(E K 2 D 0 0 7 7 7 9 H 0 0 0 1)	

The information written in this drawing is HYOSUNG HEAVY INDUSTRIES's property, and may not be disclosed and/or reproduced without the prior official permission of HYOSUNG HEAVY INDUSTRIES Corp.

이 도면상에 표시된 정보는 표상중량(단)의 소유이며 회사의 사전 서면동의 없이 무단사용을 금합니다.