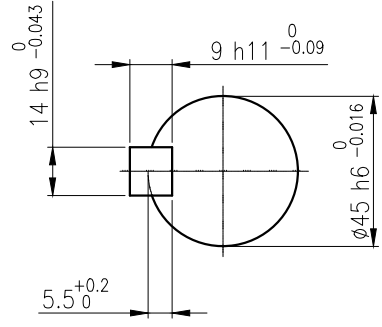
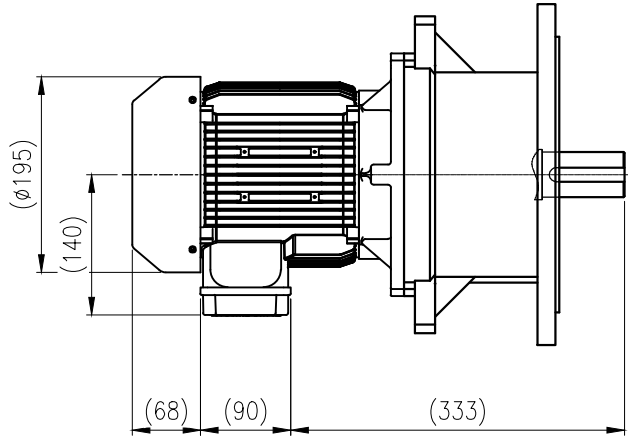


	1	2	3	4	5
No.	NAME	MATERIAL	DWG/MATL No.	CODE	Q'TY
					0
				SIZE	WEIGHT
					REMARK

A

A



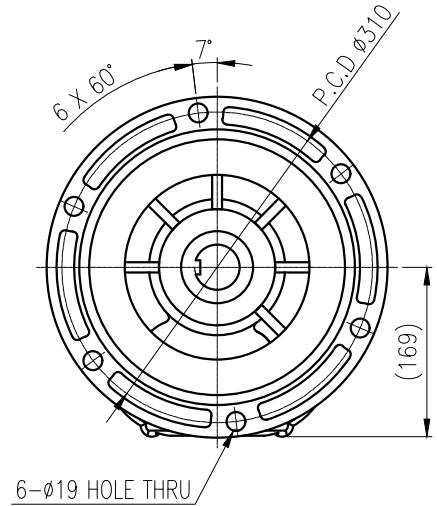
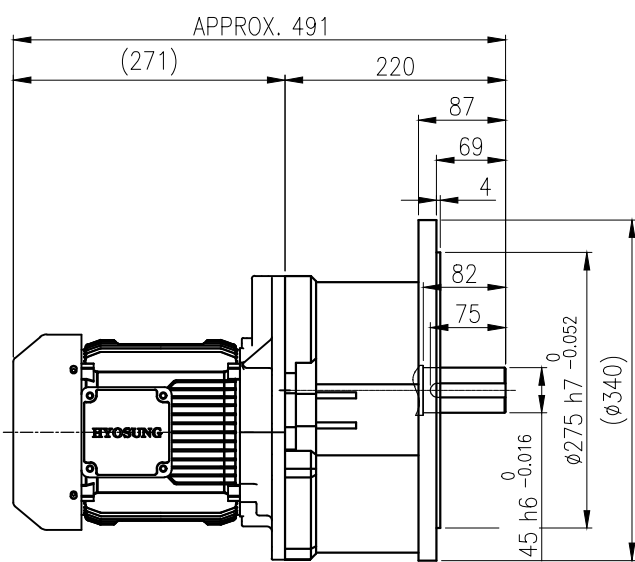
**OUTPUT SHAFT**  
KEY 14 x 9 x 68

B

B

C

C



D

D

E

			BEARING		
			INPUT SHAFT	6204ZZ 6205ZZ	
	OIL SEAL		2ND PINION	6204ZZ 6203ZZ	GREASE : NLGI(EP)00
	MOTOR SHAFT	D(M) 25 x 38 x 8	3RD PINION	6205ZZ 6305ZZ	ABOUT 2.7 kg
	OUTPUT SHAFT	D(M) 50 x 72 x 12	OUTPUT SHAFT	PM3530 6310ZZ	WEIGHT 67 kg

F

		DWG NAME		외형도 OUTLINE DIMENSION			
		DWG No.		EK2D0100769H0001		UNIT	mm
						SCALE	1:1
No.	DATE	DESCRIPTION of REVISION		DESIGNED	CHECKED	REVIEWED	APPROVED
				2024.02.06	2024.02.06	2024.02.06	2024.02.06
		HYOSUNG HEAVY INDUSTRIES		KIM.S.M	KIM.S.M	JUNG.S.S	JUNG.C.S
		TYPE F1VA_17_1.5kW_40~120:1_프리미엄		REF. No.		(EK2D007776H0001)	
						REVISION No.	00
						THIRD ANGLE PROJECTION	
						DATE 2024-02-06	

The information written in this drawing is HYOSUNG HEAVY INDUSTRIES's property, and may not be disclosed and/or reproduced without the prior official permission of HYOSUNG HEAVY INDUSTRIES Corp.

이 도면상에 표시된 정보는 표정공업(주)의 소유이며 영사의 사전 서면동의 없이 무단사용을 금합니다.