

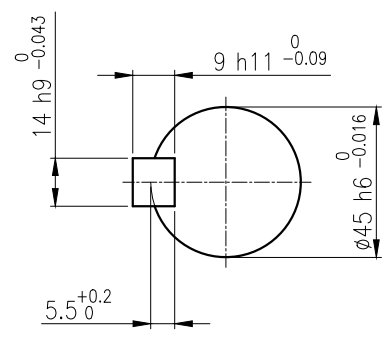
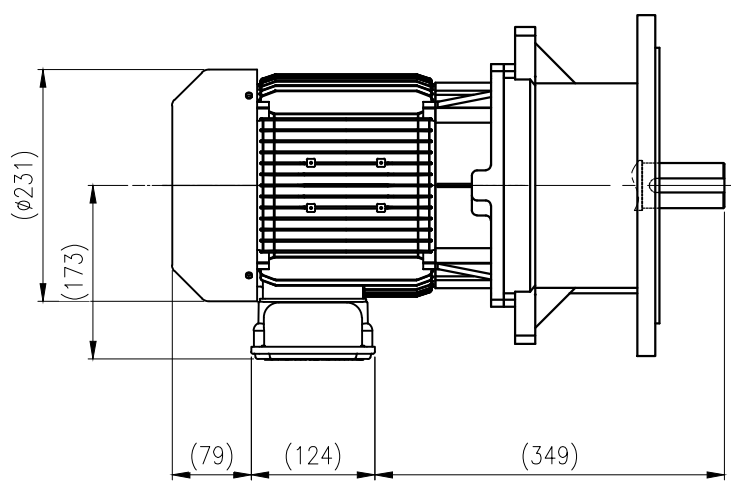
	1	2	3	4	5
No.	NAME	MATERIAL	DWG/MATL No.	CODE Q'TY	SIZE WEIGHT REMARK
				0	

A

A

B

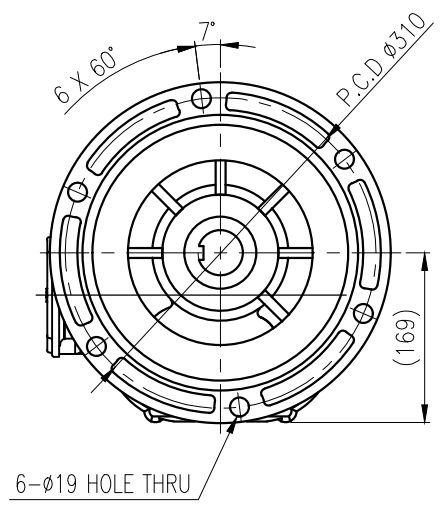
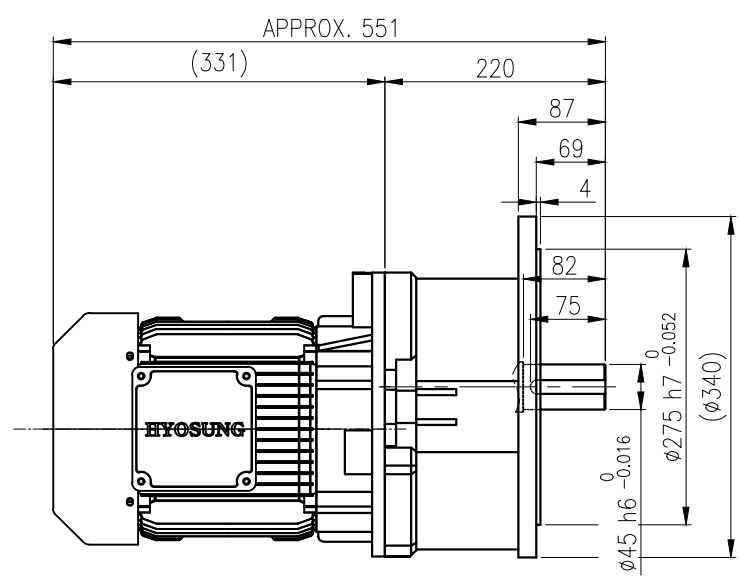
B



OUTPUT SHAFT
KEY 14 x 9 x 68

C

C



D

D

E

			BEARING		
			INPUT SHAFT	6206ZZ 6207ZZ	
	OIL SEAL		2ND PINION	6205ZZ 6305ZZ	GREASE : NLGI(EP)00
	MOTOR SHAFT	D(M) 35 x 47 x 7	3RD PINION	- -	ABOUT 3.0 kg
	OUTPUT SHAFT	D(M) 50 x 72 x 12	OUTPUT SHAFT	PM3530 6310ZZ	WEIGHT 81 kg

F

		DWG NAME		외형도 OUTLINE DIMENSION			
		DWG No.		EK2D0100767H0001		UNIT	mm
						SCALE	1:1
No.	DATE	DESCRIPTION of REVISION		DESIGNED	CHECKED	REVIEWED	APPROVED
A4(210x297mm)	FORM CE-14-0100-4A4 2013.11.20			2024.02.06	2024.02.06	2024.02.06	2024.02.06
				KIM.S.M	KIM.S.M	JUNG.S.S	JUNG.C.S
		TYPE		F1VA_17_3.7kW_5~20:1_프리엠		REVISION No.	00
				REF. No.		(EK2D007774H0001)	
						THIRD ANGLE PROJECTION	
						(A)	

The information written in this drawing is HYOSUNG HEAVY INDUSTRIES's property, and may not be disclosed and/or reproduced without the prior official permission of HYOSUNG HEAVY INDUSTRIES Corp.

이 도면상에 표시된 정보는 표창중공업(주)의 소유이며 영사의 사전 서면동의 없이 무단사용을 금합니다.