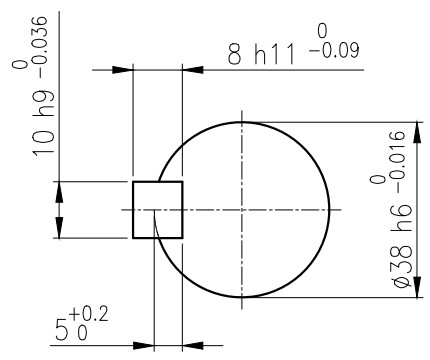
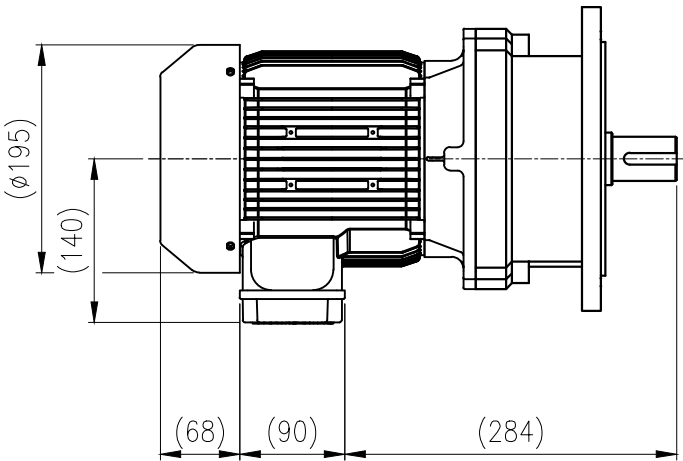


	1	2	3	4	5
No.	NAME	MATERIAL	DWG/MATL No.	CODE	Q'TY
					0
				SIZE	WEIGHT
					REMARK

A



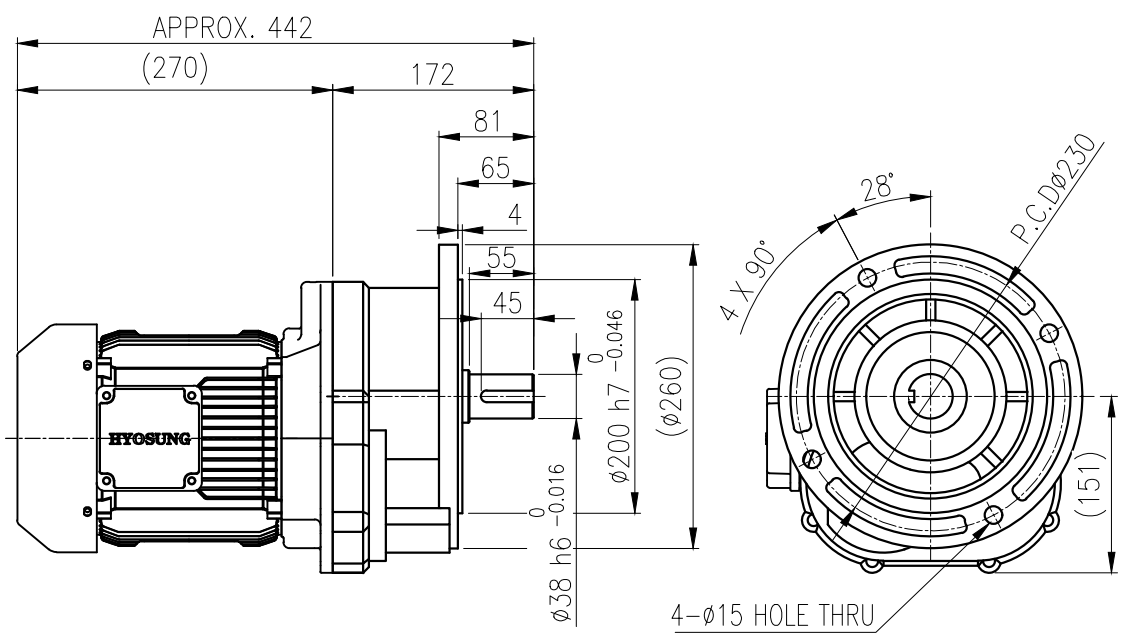
OUTPUT SHAFT
KEY 10 x 8 x 40

B

A

B

C



D

C

D

E

			BEARING		
			INPUT SHAFT	6204ZZ 6205ZZ	
	OIL SEAL		2ND PINION	6204ZZ 6304ZZ	GREASE : NLGI(EP)00
	MOTOR SHAFT	D(M) 25 x 38 x 8	3RD PINION	-	ABOUT 1.9 kg
	OUTPUT SHAFT	D(M) 45 x 62 x 12	OUTPUT SHAFT	PM3030 6309ZZ	WEIGHT 44 kg

F

		DWG NAME				외형도 OUTLINE DIMENSION	
		DWG No.				UNIT	mm
		EYK2D0100765H0001				SCALE	1:1
No.	DATE	DESCRIPTION of REVISION				DESIGNED	CHECKED
						REVIEWED	APPROVED
						DATE	2024-02-06
A4(210x297mm)						DESIGNED	2024.02.06
FORM CE-14-0100-44 2013.11.20						CHECKED	2024.02.06
TYPE		F1VA_15_1.5kW_5~30:1_프리미엄				DESIGNED	KIM.S.M
						CHECKED	KIM.S.M
						REVIEWED	JUNG.S.S
						APPROVED	JUNG.C.S
						DATE	2024-02-06
						REVISION No.	00
						THIRD ANGLE PROJECTION	
						REF. No.	(EK2D007772H0001)
						(A)	

The information written in this drawing is HYOSUNG HEAVY INDUSTRIES's property, and may not be disclosed and/or reproduced without the prior official permission of HYOSUNG HEAVY INDUSTRIES Corp.

이 도면상 표시된 정보는 표상용(단)의 소유이며 영사의 사전 서면동의 없이 무단사용을 금합니다.