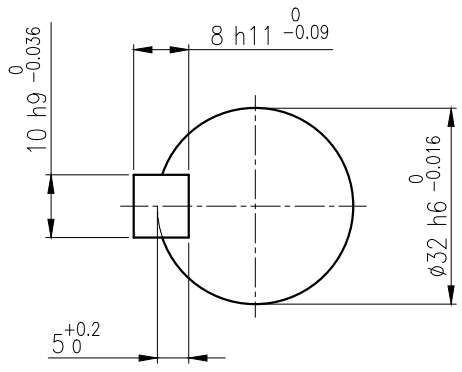
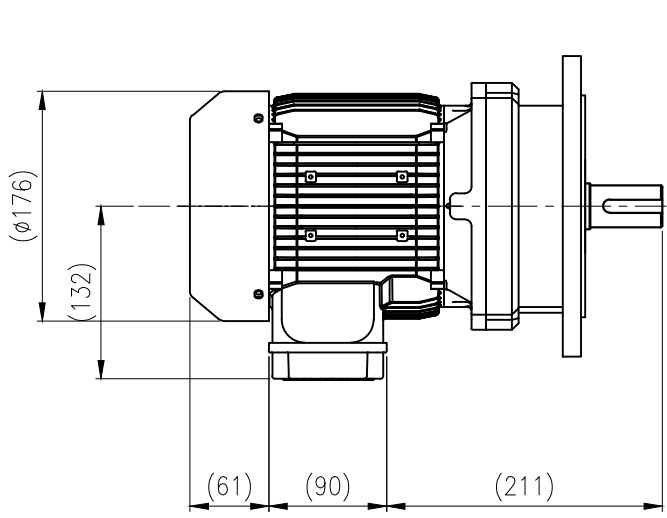
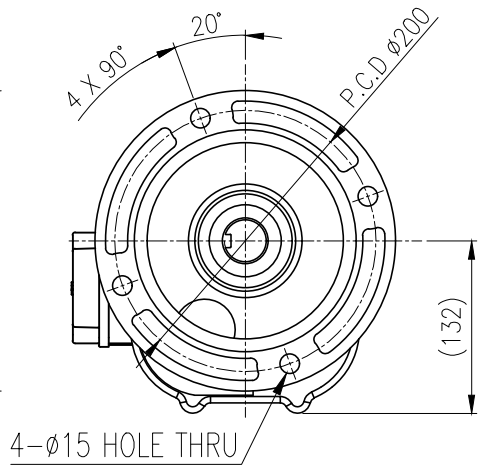
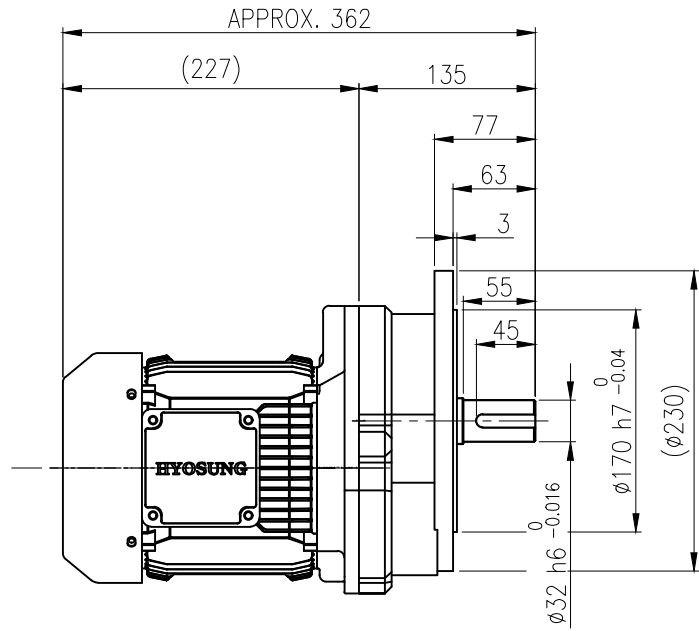


1	2	3	4	5
No.	NAME	MATERIAL	DWG/MATL No.	CODE Q'TY
				0
			SIZE	WEIGHT
				REMARK



OUTPUT SHAFT
KEY 10 x 8 x 40



4-Ø15 HOLE THRU

		BEARING			
		INPUT SHAFT	6203ZZ	6204ZZ	
OIL SEAL		2ND PINION	6202ZZ	6202ZZ	GREASE : NLGI(EP)00
MOTOR SHAFT	D(M) 20 x 32 x 8	3RD PINION	-	-	ABOUT 1.1 kg
OUTPUT SHAFT	D(M) 35 x 55 x 11	OUTPUT SHAFT	PM2525	6207ZZ	WEIGHT 26 kg

DWG NAME		외형도 OUTLINE DIMENSION				
DWG No.		EK2D0100764H0001		UNIT	mm	
				SCALE	1:1	
No.	DATE	DESIGNED	CHECKED	REVIEWED	APPROVED	
		2024.02.06	2024.02.06	2024.02.06	2024.02.06	
DESCRIPTION of REVISION		KIM.S.M	KIM.S.M	JUNG.S.S	JUNG.C.S	
		REVISION No.		00		
		THIRD ANGLE PROJECTION				
TYPE		F1VA_13_0.75kW_5~30:1_프리미엄			REF. No.	(EK2D007771H0001)



A4(210x297mm)
FORM
CE-14-0100-444
2013.11.20

이 도면상에 표시된 정보는 표정용(단)의 소유이며 영사의 사전 서면동의 없이 무단사용을 금합니다.