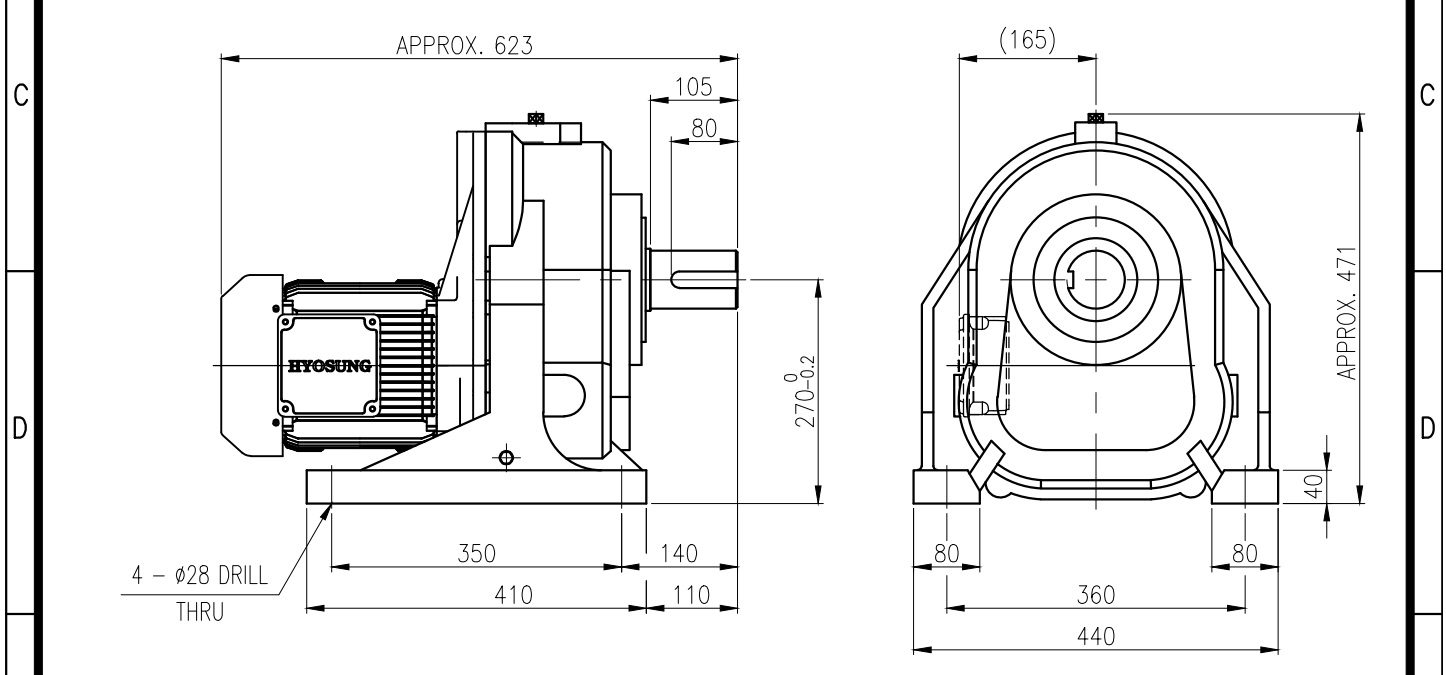
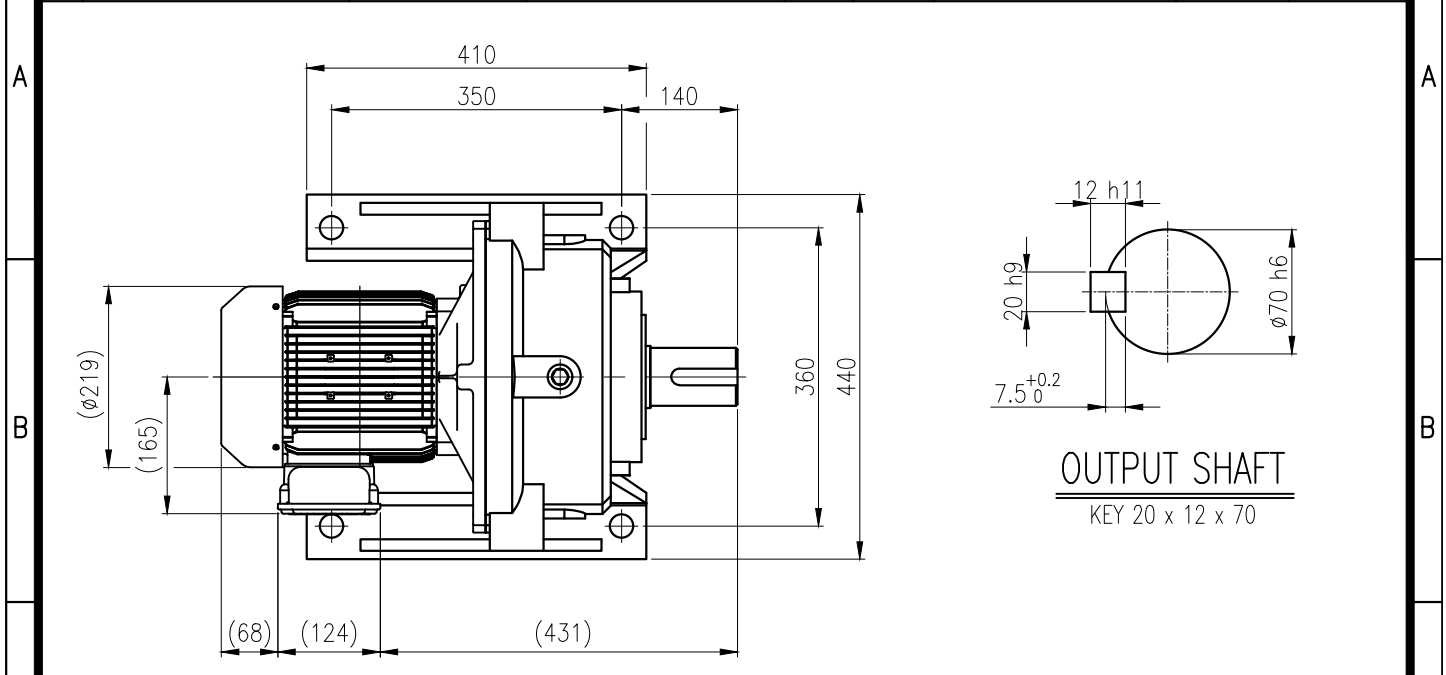


1	2	3	4	5				
No.	NAME	MATERIAL	DWG/MATL No.	CODE	Q'TY	SIZE	WEIGHT	REMARK
					0			



			BEARING		
			INPUT SHAFT	6205ZZ 6207ZZ	
	OIL SEAL		2ND PINION	6305ZZ 6306ZZ	GREASE : NLGI(EP)00
MOTOR SHAFT	D(M) 35 x 47 x 7		3RD PINION	6307ZZ 6308ZZ	ABOUT 3.0 kg
OUTPUT SHAFT	D(M) 75 x 100 x 13		OUTPUT SHAFT	6311ZZ 21315	WEIGHT 162 kg

		DWG NAME		외형도 OUTLINE DIMENSION			
		DWG No.		EK2D0100763H0001		UNIT	mm
						SCALE	1:1
No.	DATE	DESCRIPTION of REVISION		DESIGNED	CHECKED	REVIEWED	APPROVED
A4(210x297mm)	FORM CE-14-0100-44 2013.11.20			2024.02.02	2024.02.02	2024.02.02	2024.02.02
				KIM.S.M	KIM.S.M	JUNG.S.S	JUNG.C.S
		TYPE		F1HA_27_2.2kW_100~120:1_프리미엄		REVISION No.	00
				REF. No.		(EK2D007676H0001)	
						THIRD ANGLE PROJECTION	

The information written in this drawing is HYOSUNG HEAVY INDUSTRIES's property, and may not be disclosed and/or reproduced without the prior official permission of HYOSUNG HEAVY INDUSTRIES Corp.

이 도면상에 표시된 정보는 표정공업(주)의 소유이며 영사의 사전 서면동의 없이 무단사용을 금합니다.