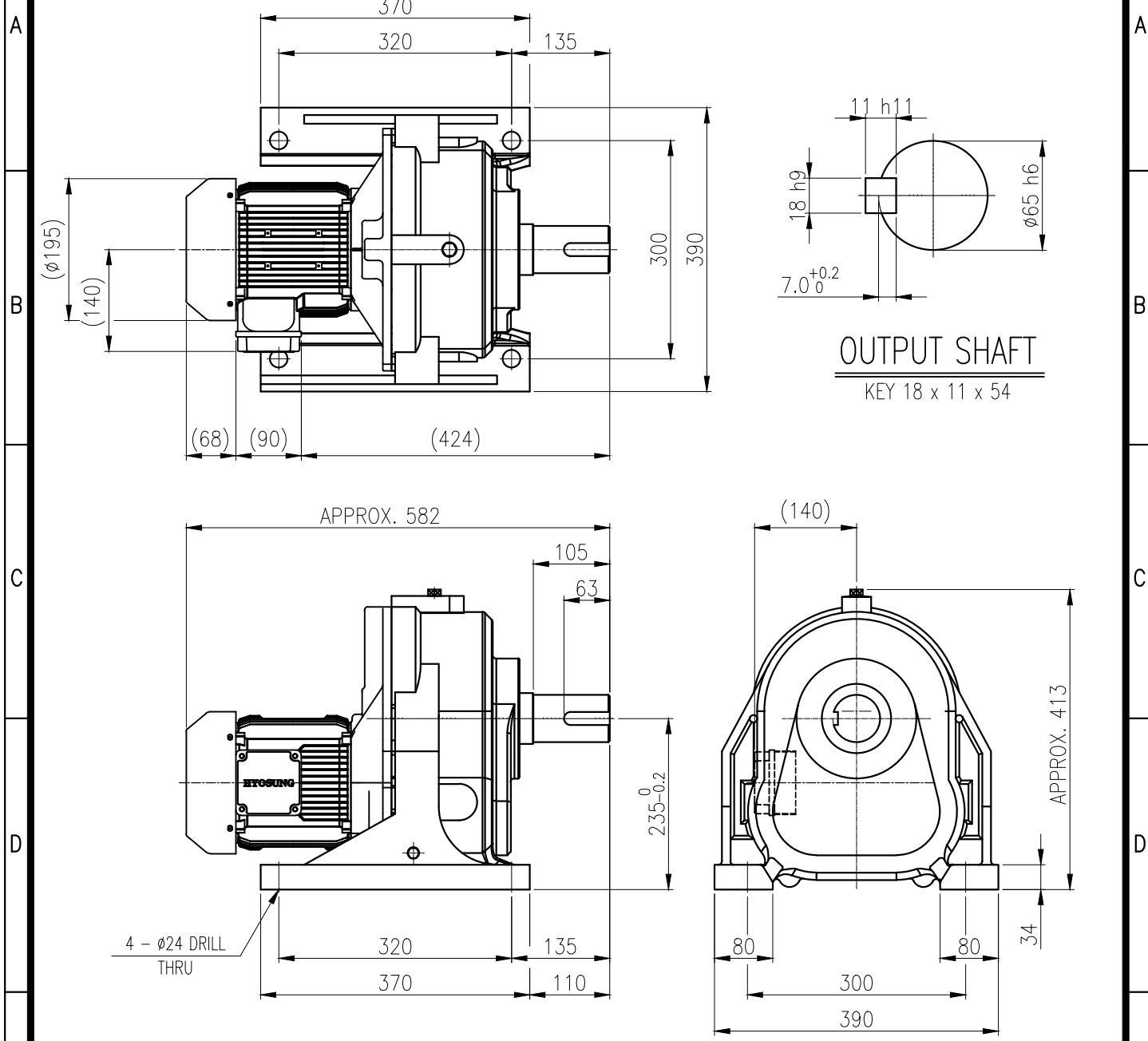


1	2	3	4	5
No.	NAME	MATERIAL	DWG/MATL No.	CODE
				Q'TY
				0
			SIZE	WEIGHT
				REMARK



**OUTPUT SHAFT**  
KEY 18 x 11 x 54

		BEARING			
		INPUT SHAFT	6204ZZ	6205ZZ	
OIL SEAL		2ND PINION	6204ZZ	6205ZZ	GREASE : NLGI(EP)00
MOTOR SHAFT	D(M) 25 x 38 x 8	3RD PINION	6207ZZ	6309ZZ	ABOUT 2.3 kg
OUTPUT SHAFT	D(M) 70 x 95 x 13	OUTPUT SHAFT	PM5060	22214	WEIGHT 114 kg

		외형도 OUTLINE DIMENSION			
		DWG No. EK2D0100761H0001		UNIT	mm
				SCALE	1:1
No.	DATE	DESIGNED	CHECKED	REVIEWED	APPROVED
		2024.02.02	2024.02.02	2024.02.02	2024.02.02
DESCRIPTION of REVISION		KIM.S.M	KIM.S.M	JUNG.S.S	JUNG.C.S
DATE		DATE		DATE	
2013.11.20		2024-02-02		2024-02-02	
REVISION No.		REVISION No.		REVISION No.	
00		00		00	
THIRD ANGLE PROJECTION					
TYPE		REF. No.			
F1HA_23_1.5kW_100~120:1_프리미엄		(EK2D007674H0001)		(A)	

이 도면상에 표시된 정보는 표상용이며 (주)의 소유이며 영사의 사전 서면동의 없이 무단사용을 금합니다.