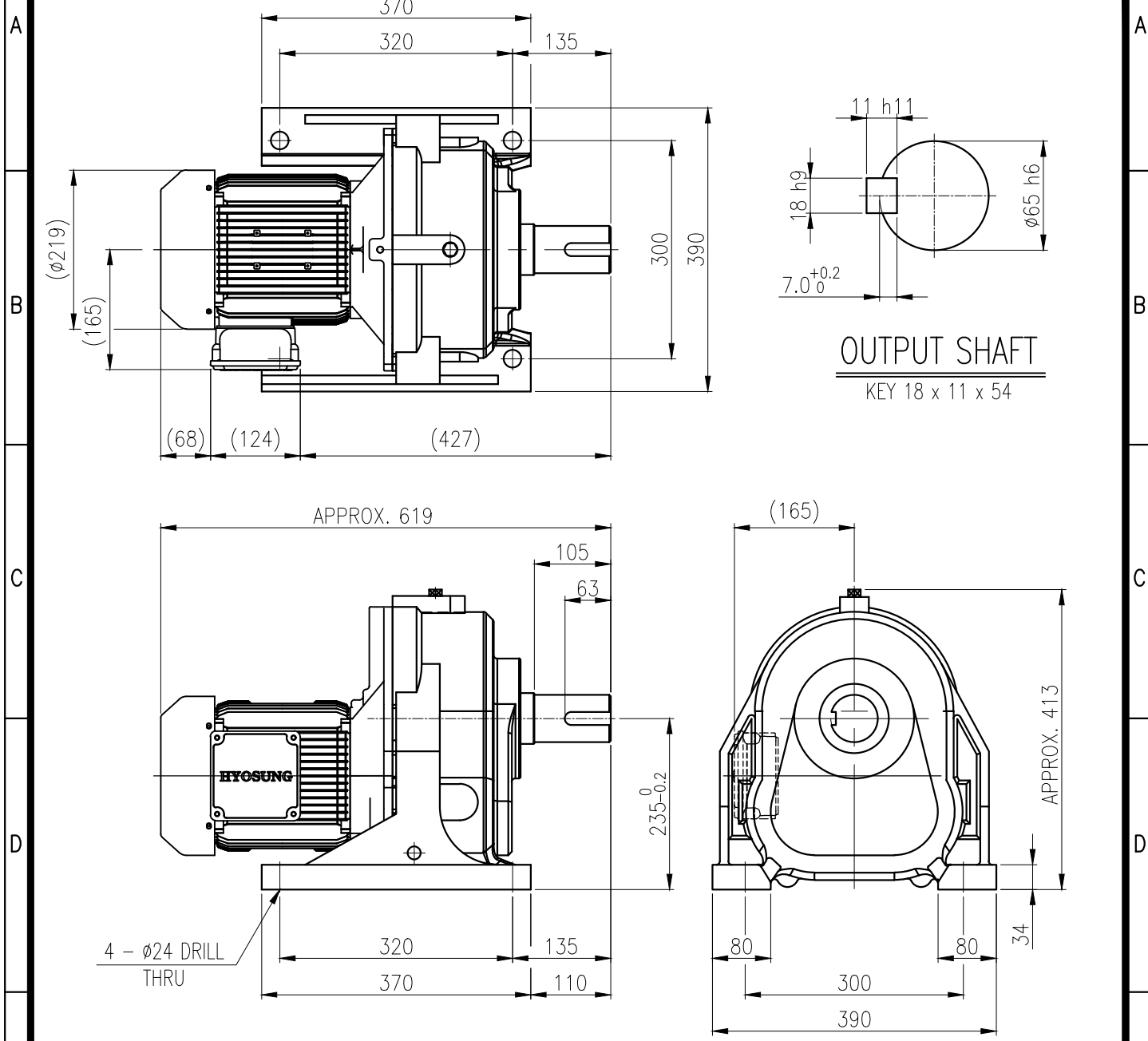


1	2	3	4	5
No.	NAME	MATERIAL	DWG/MATL No.	CODE Q'TY
				0
			SIZE	WEIGHT
				REMARK



		BEARING			
		INPUT SHAFT	6205ZZ 6207ZZ		
OIL SEAL		2ND PINION	6205ZZ 6205ZZ	GREASE : NLGI(EP)00	
MOTOR SHAFT	D(M) 35 x 47 x 7	3RD PINION	6207ZZ 6309ZZ	ABOUT	2.3 kg
OUTPUT SHAFT	D(M) 70 x 95 x 13	OUTPUT SHAFT	PM5060 22214	WEIGHT	124 kg

		DWG NAME				외형도 OUTLINE DIMENSION	
		DWG No. EK2D0100760H0001				UNIT	mm
						SCALE	1:1
No.	DATE	DESCRIPTION of REVISION				DESIGNED	2024-02-02
						CHECKED	2024-02-02
						REVIEWED	2024-02-02
						APPROVED	2024-02-02
		REVISION No. 00				THIRD ANGLE PROJECTION	
A4(210x297mm) FORM CE-14-0100-4A4 2013.11.20						REF. No. (EK2D007673H0001)	
		TYPE F1HA_23_2.2kW_75~90:1_프리미엄				①	

The information written in this drawing is HYOSUNG HEAVY INDUSTRIES's property, and may not be disclosed and/or reproduced without the prior official permission of HYOSUNG HEAVY INDUSTRIES Corp.

이 도면상에 표시된 정보는 표정공업(주)의 소유이며 영사의 사전 서면동의 없이 무단사용을 금합니다.