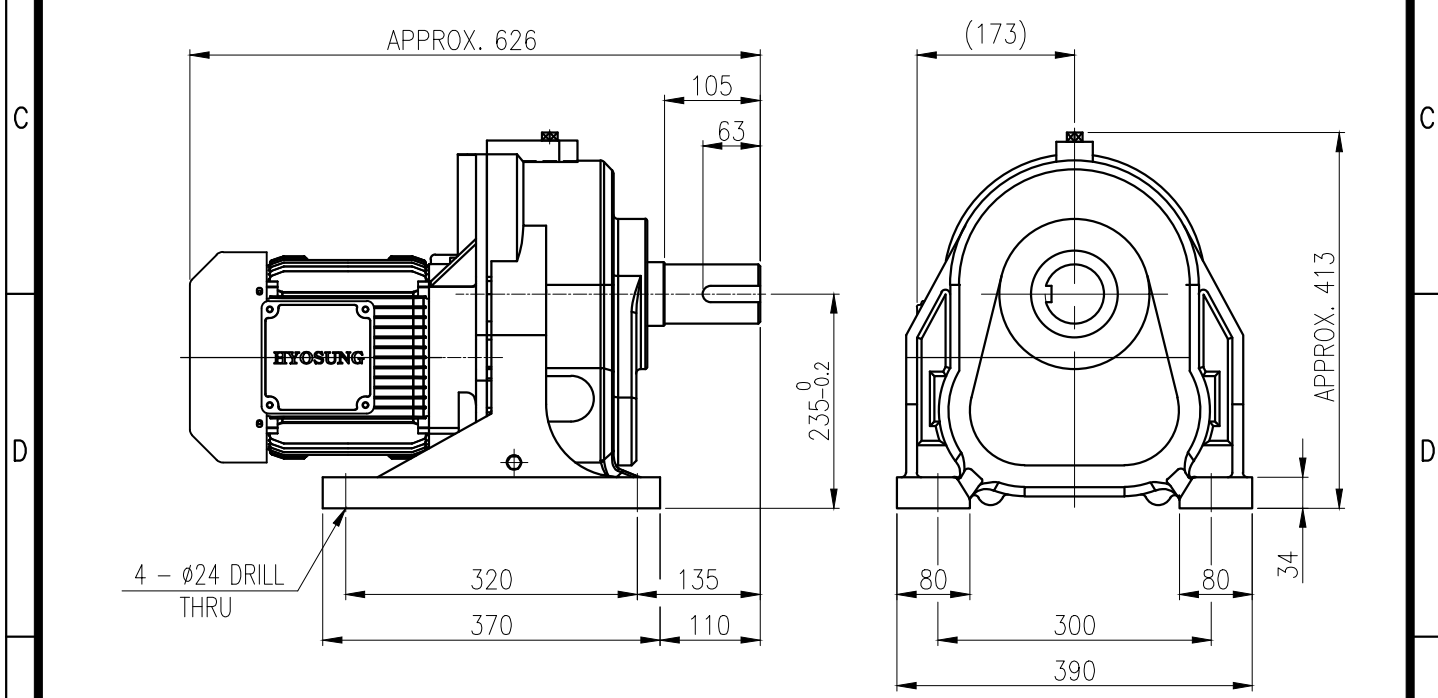
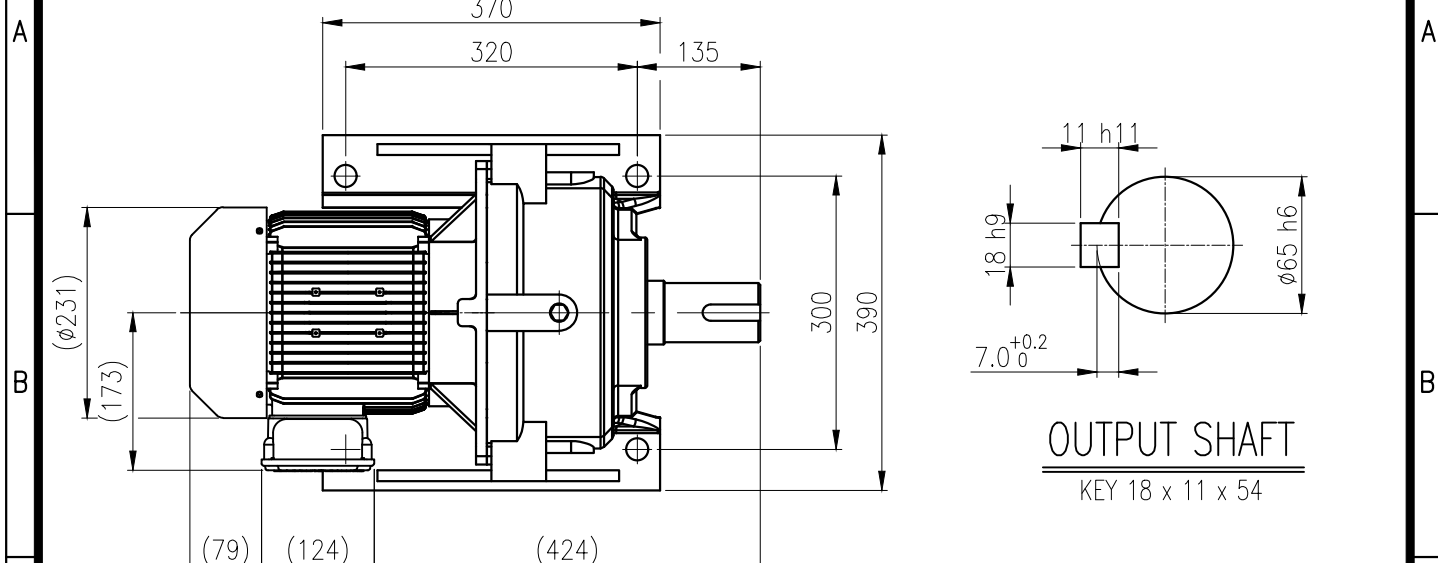


1	2	3	4	5				
No.	NAME	MATERIAL	DWG/MATL No.	CODE	Q'TY	SIZE	WEIGHT	REMARK
					0			



			BEARING		
			INPUT SHAFT	6206ZZ 6207ZZ	
	OIL SEAL		2ND PINION	6207ZZ 6205ZZ	GREASE : NLGI(EP)00
	MOTOR SHAFT	D(M) 35 x 47 x 7	3RD PINION	6207ZZ 6309ZZ	ABOUT 2.3 kg
	OUTPUT SHAFT	D(M) 70 x 95 x 13	OUTPUT SHAFT	PM5060 22214	WEIGHT 129 kg

		DWG NAME		외형도 OUTLINE DIMENSION						
		DWG No.		EK2D0100759H0001		UNIT	mm			
						SCALE	1:1			
F	No.	DATE	DESCRIPTION of REVISION		DESIGNED	CHECKED	REVIEWED	APPROVED	DATE	2024-02-02
	A4(210x297mm)	FORM CE-14-0100-4A4 2013.11.20			2024.02.02	2024.02.02	2024.02.02	2024.02.02	REVISION No.	00
TYPE		F1HA_23_3.7kW_60:1_프리미엄			KIM.S.M	KIM.S.M	JUNG.S.S	JUNG.C.S	THIRD ANGLE PROJECTION	
		REF. No.		(EK2D007672H0001)						

The information written in this drawing is HYOSUNG HEAVY INDUSTRIES's property, and may not be disclosed and/or reproduced without the prior official permission of HYOSUNG HEAVY INDUSTRIES Corp.

이 도면상에 표시된 정보는 포항중공업(주)의 소유이며 영사의 사전 서면동의 없이 무단사용을 금합니다.