

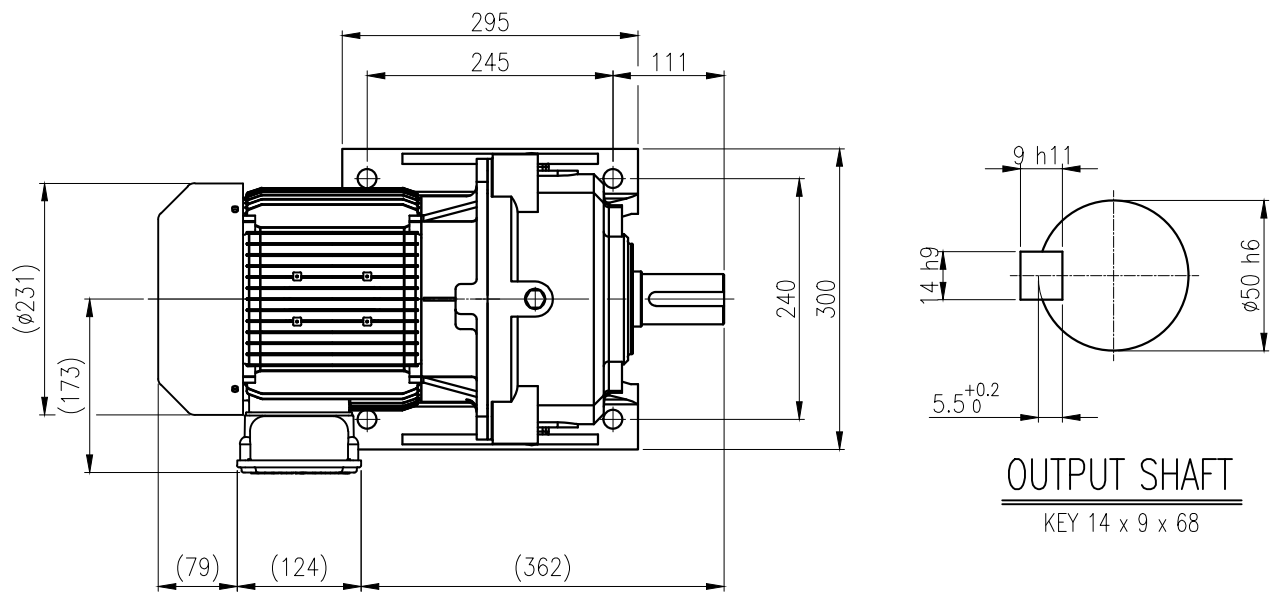
	1	2	3	4	5
No.	NAME	MATERIAL	DWG/MATL No.	CODE	Q'TY
					0
				SIZE	WEIGHT
					REMARK

A

A

B

B

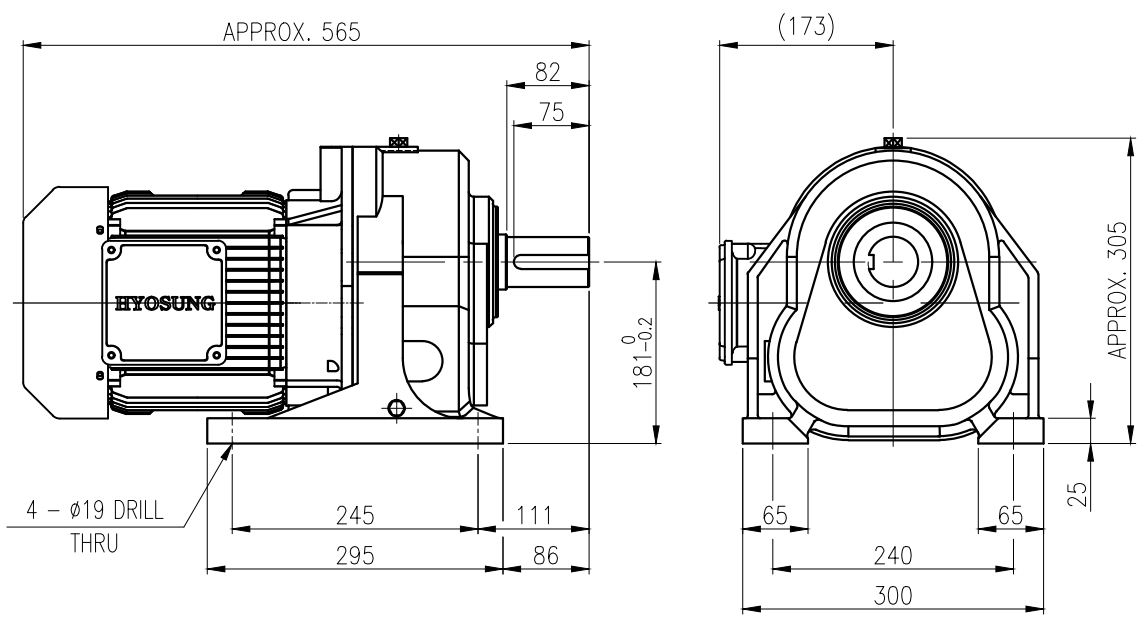


C

C

D

D



E

			BEARING		
			INPUT SHAFT	6206ZZ 6207ZZ	
	OIL SEAL		2ND PINION	6206ZZ 6307ZZ	GREASE : NLGI(EP)00
MOTOR SHAFT	D(M) 35 x 47 x 7		3RD PINION	- -	ABOUT 1.2 kg
OUTPUT SHAFT	D(M) 55 x 78 x 12	OUTPUT SHAFT	PM3530 22211		WEIGHT 79 kg

F

		DWG NAME		외형도 OUTLINE DIMENSION			
		DWG No.		EK2D0100755H0001		UNIT	mm
						SCALE	1:1
No.	DATE	DESCRIPTION of REVISION		DESIGNED	CHECKED	REVIEWED	APPROVED
				2024.02.02	2024.02.02	2024.02.02	2024.02.02
				KIM.S.M	KIM.S.M	JUNG.S.S	JUNG.C.S
		TYPE		F1HA_18_3.7kW_25~30:1_프리미엄		DATE	2024-02-02
				REF. No.		(EK2D007668H0001)	
						REVISION No.	00
						THIRD ANGLE PROJECTION	
						(A)	

이 도면상에 표시된 정보는 표상용이며 (주)의 소유이며 영사의 사전 서면동의 없이 무단사용을 금합니다.