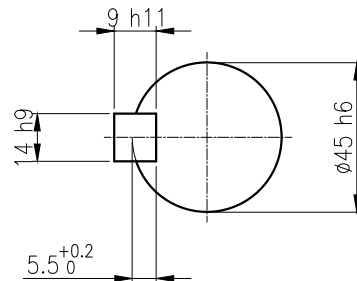
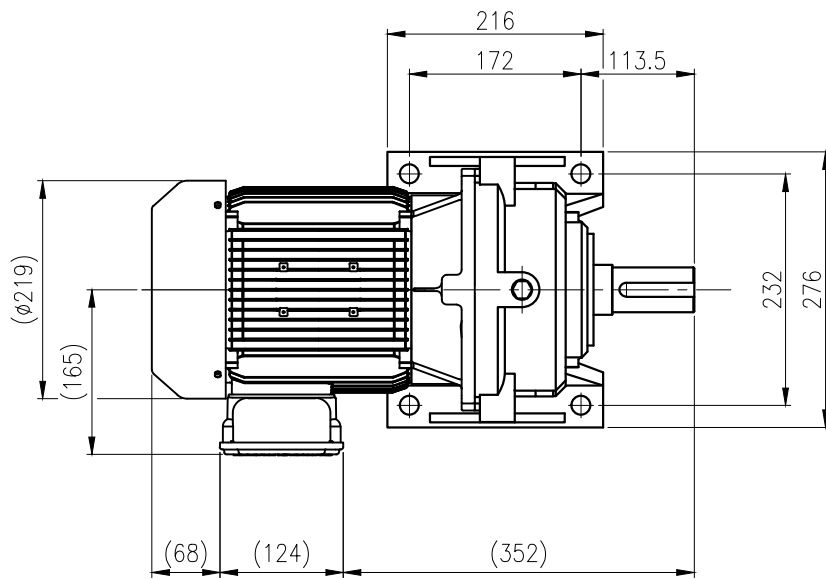


	1	2	3	4	5			
No.	NAME	MATERIAL	DWG/MATL No.	CODE	Q'TY	SIZE	WEIGHT	REMARK
					0			

A

A



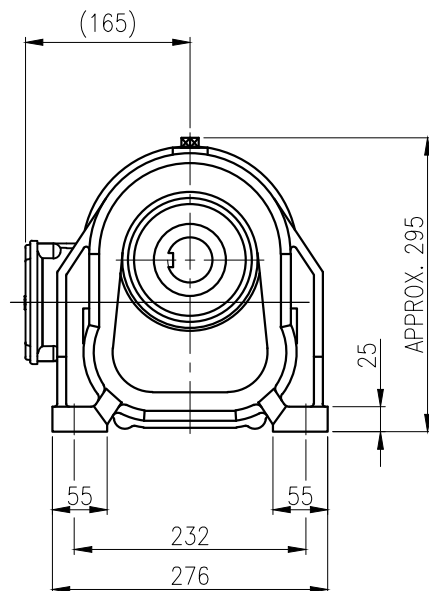
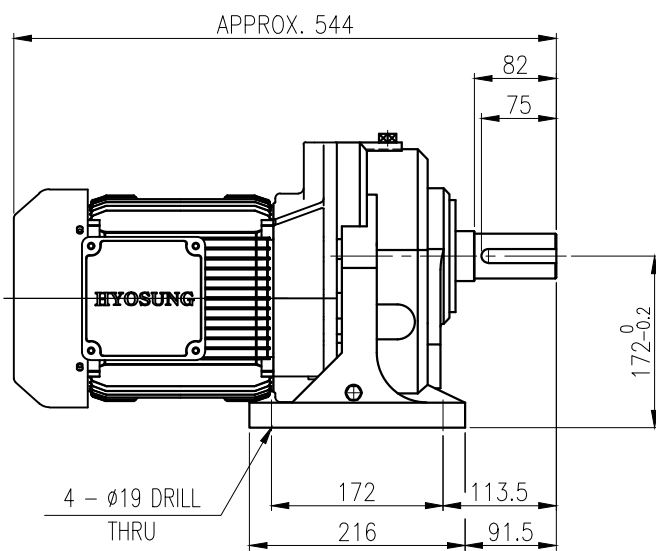
**OUTPUT SHAFT**  
KEY 14 x 9 x 68

B

B

C

C



D

D

E

			BEARING		
			INPUT SHAFT	6205ZZ 6207ZZ	
		OIL SEAL	2ND PINION	6205ZZ 6305ZZ	GREASE : NLGI(EP)00
MOTOR SHAFT	D(M) 35 x 47 x 7		3RD PINION	- -	ABOUT 1.0 kg
OUTPUT SHAFT	D(M) 50 x 72 x 12	OUTPUT SHAFT	PM3530 6310ZZ		WEIGHT 64 kg

F

		DWG NAME		외형도 OUTLINE DIMAENSION			
		DWG No.		EK2D0100753H0001		UNIT	mm
						SCALE	1:1
No.	DATE	DESCRIPTION of REVISION		DESIGNED	CHECKED	REVIEWED	APPROVED
				2024.02.02	2024.02.02	2024.02.02	2024.02.02
A4(210X297mm)		FORM CE-14-0100-4A4 2013.11.20		KIM.S.M	KIM.S.M	JUNG.S.S	JUNG.C.S
TYPE		F1HA_17_2.2kW_5~30:1_프리미엄		REF. No.		(EK2D007666H0001)	
						REVISION No.	00
						THIRD ANGLE PROJECTION	
						(A)	

이 도면상에 표시된 정보는 포항중공업(주)의 소유이며 회사의 사전 서면동의 없이 무단사용을 금합니다.