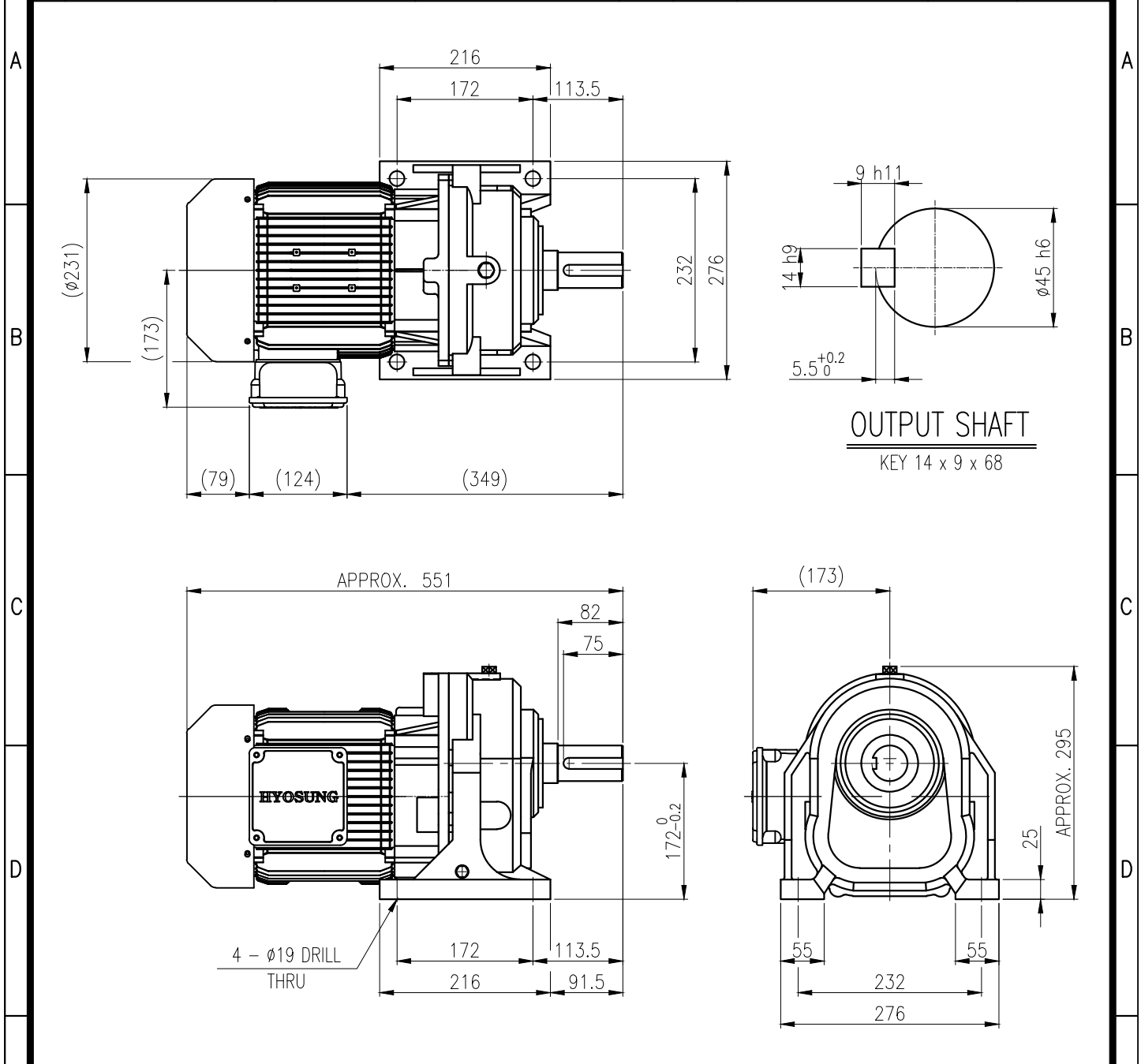


	1	2	3	4	5
No.	NAME	MATERIAL	DWG/MATL No.	CODE	Q'TY
					0
				SIZE	WEIGHT
					REMARK



			BEARING		
			INPUT SHAFT	6206ZZ 6207ZZ	
	OIL SEAL		2ND PINION	6205ZZ 6305ZZ	GREASE : NLGI(EP)00
	MOTOR SHAFT	D(M) 35 x 47 x 7	3RD PINION	-	ABOUT 1.0 kg
	OUTPUT SHAFT	D(M) 50 x 72 x 12	OUTPUT SHAFT	PM3530 6310ZZ	WEIGHT 69 kg

		DWG NAME		외형도 OUTLINE DIMENSION			
		DWG No.		EK2D0100752H0001		UNIT	mm
						SCALE	1:1
No.	DATE	DESCRIPTION of REVISION		DESIGNED	CHECKED	REVIEWED	APPROVED
				2024.02.02	2024.02.02	2024.02.02	2024.02.02
				KIM.S.M	KIM.S.M	JUNG.S.S	JUNG.C.S
						DATE	2024-02-02
						REVISION No.	00
						THIRD ANGLE PROJECTION	
				REF. No.	(EK2D007665H0001)		(A)

이 도면상에 표시된 정보는 표정공업(주)의 소유이며 영사의 사전 서면동의 없이 무단사용을 금합니다.