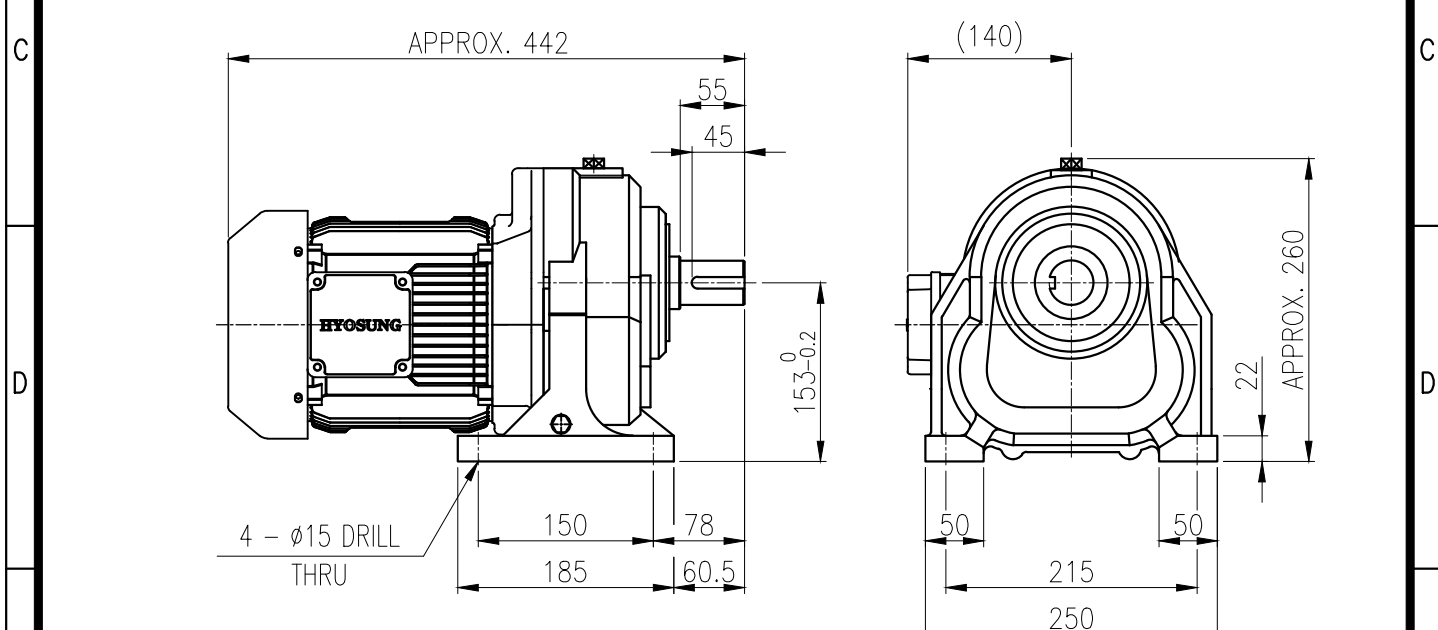
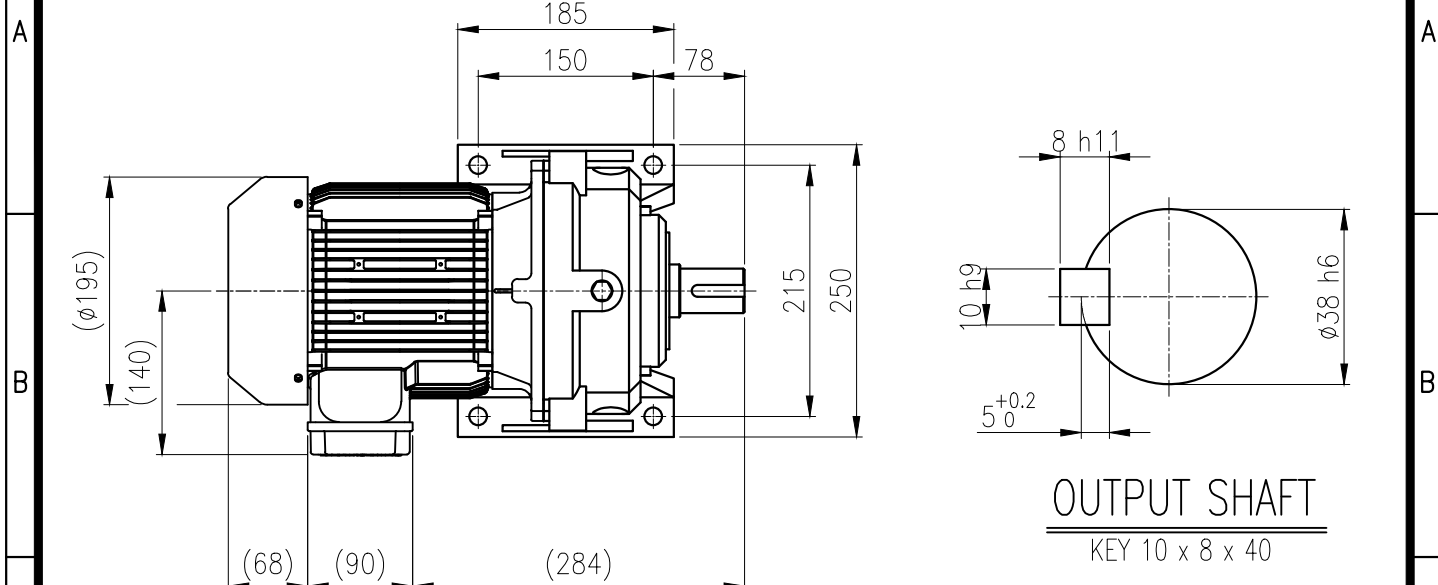


	1	2	3	4	5
No.	NAME	MATERIAL	DWG/MATL No.	CODE Q'TY	SIZE WEIGHT REMARK
				0	



		BEARING		
		INPUT SHAFT	6204ZZ 6205ZZ	
OIL SEAL		2ND PINION	6204ZZ 6304ZZ	GREASE : NLGI(EP)00
MOTOR SHAFT	D(M) 25 x 38 x 8	3RD PINION	- -	ABOUT 0.6 kg
OUTPUT SHAFT	D(M) 45 x 62 x 12	OUTPUT SHAFT	PM3030 6309ZZ	WEIGHT 43 kg

		외형도 OUTLINE DIMENSION							
		DWG No. EK2D0100750H0001		UNIT	mm				
				SCALE	1:1				
No.	DATE	DESCRIPTION of REVISION		DESIGNED	CHECKED	REVIEWED	APPROVED	DATE	2024-02-02
A4(210x297mm)	FORM CE-14-0100-4A4 2013.11.20	<b>HYOSUNG HEAVY INDUSTRIES</b>		2024.02.02 KIM.S.M	2024.02.02 KIM.S.M	2024.02.02 JUNG.S.S	2024.02.02 JUNG.C.S	REVISION No.	00
		TYPE F1HA_15_1.5kW_5~30:1_프리미엄		THIRD ANGLE PROJECTION					
		REF. No.		(EK2D007663H0001)				(A)	

The information written in this drawing is HYOSUNG HEAVY INDUSTRIES's property, and may not be disclosed and/or reproduced without the prior official permission of HYOSUNG HEAVY INDUSTRIES Corp.

이 도면상에 표시된 정보는 표상용영역(상)의 소유이며 영사의 사전 서면동의 없이 무단사용을 금합니다.