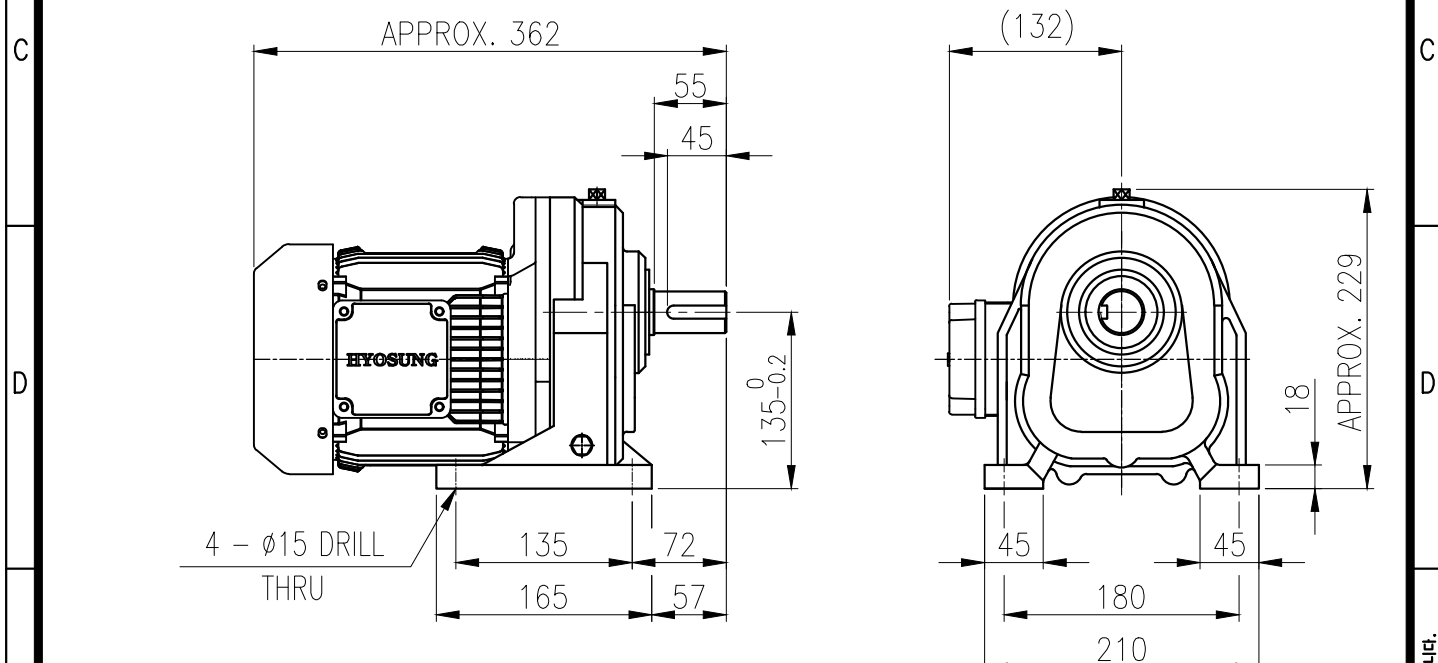
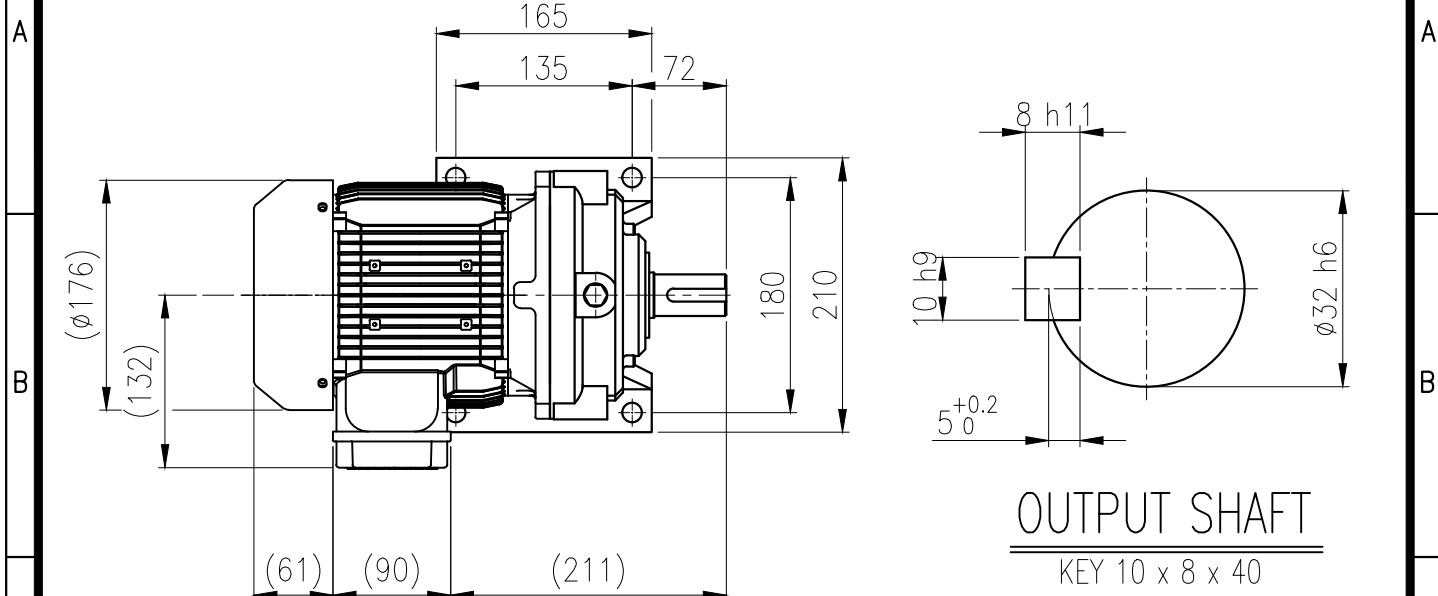


	1	2	3	4	5
No.	NAME	MATERIAL	DWG/MATL No.	CODE Q'TY	SIZE WEIGHT REMARK
				0	



		BEARING			
		INPUT SHAFT	6203ZZ	6204ZZ	
OIL SEAL		2ND PINION	6202ZZ	6202ZZ	GREASE : NLGI(EP)00
MOTOR SHAFT	D(M) 20 x 32 x 8	3RD PINION	-	-	ABOUT 0.4 kg
OUTPUT SHAFT	D(M) 35 x 55 x 11	OUTPUT SHAFT	PM2525	6207ZZ	WEIGHT 26 kg

		외형도 OUTLINE DIMENSION									
		DWG No. EK2D0100749H0001		UNIT	mm						
				SCALE	1:1						
No.	DATE	DESCRIPTION of REVISION				DESIGNED	CHECKED	REVIEWED	APPROVED	DATE	2024-02-02
A4(210x297mm)	FORM CE-14-0100-4A4 2013.11.20					2024.02.02	2024.02.02	2024.02.02	2024.02.02	REVISION No.	00
TYPE F1HA_13_0.75kW_5~30:1_프리미엄						KIM.S.M	KIM.S.M	JUNG.S.S	JUNG.C.S	THIRD ANGLE PROJECTION	
		REF. No.	(EK2D007662H0001)								

The information written in this drawing is HYOSUNG HEAVY INDUSTRIES's property, and may not be disclosed and/or reproduced without the prior official permission of HYOSUNG HEAVY INDUSTRIES Corp.

이 도면상에 표시된 정보는 표상중공명(산)의 소유이며 영사의 사전 서면동의 없이 무단사용을 금합니다.