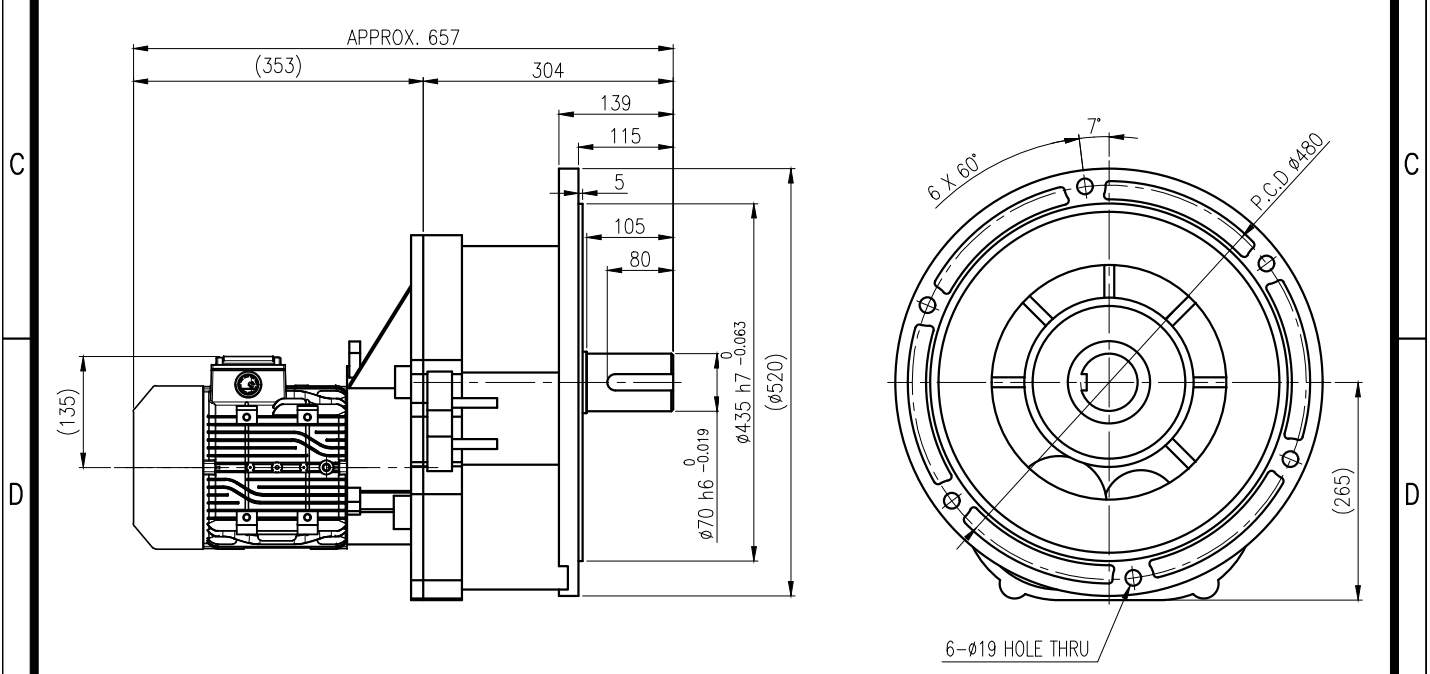
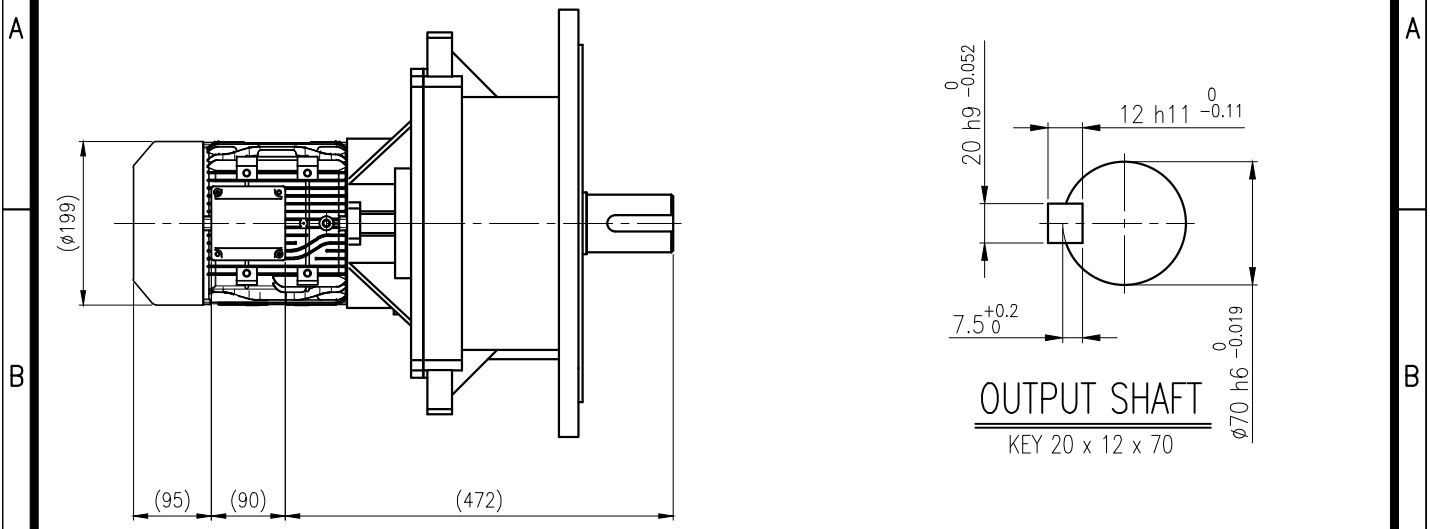


1	2	3	4	5				
No.	NAME	MATERIAL	DWG/MATL No.	CODE	Q'TY	SIZE	WEIGHT	REMARK
					0			



			BEARING		
			INPUT PINION	6205ZZ 6207ZZ	
	OIL SEAL		2ND PINION	6205ZZ 6306ZZ	GREASE : NLGI(EP)00
MOTOR SHAFT	D(M) 35 x 47 x 7		3RD PINION	6307ZZ 6308ZZ	ABOUT 8.9 kg
OUTPUT SHAFT	D(M) 75 x 100 x 13	OUTPUT SHAFT	6311ZZ 21315	WEIGHT	152 kg

		DWG NAME		외형도 OUTLINE DIMENSION	
		DWG No.		EK2DO100030H0001	
		UNIT		mm	
		SCALE		1:1	
No.	DATE	DESCRIPTION of REVISION		DESIGNED	CHECKED
				22.02.14	22.02.14
				YUN.H.J	KIM.H.M
				22.02.14	22.02.14
				JUNG.S.S	HONG.W.C
		DATE		2022-02-14	
		REVISION No.		01	
		THIRD ANGLE PROJECTION			
A4(210X297mm) FORM CE-14-0100-444 2013.11.20		TYPE		F1VA_27_2.2kW_100~120:1_프리미엄	
		REF. No.		-	
				A	

The information written in this drawing is HYOSUNG HEAVY INDUSTRIES's property, and may not be disclosed and/or reproduced without the prior official permission of HYOSUNG HEAVY INDUSTRIES Corp.

이 도면에 표시된 정보는 호성중공업(주)의 소유이며 당사의 사전 서면동의 없이 무단사용을 금합니다.