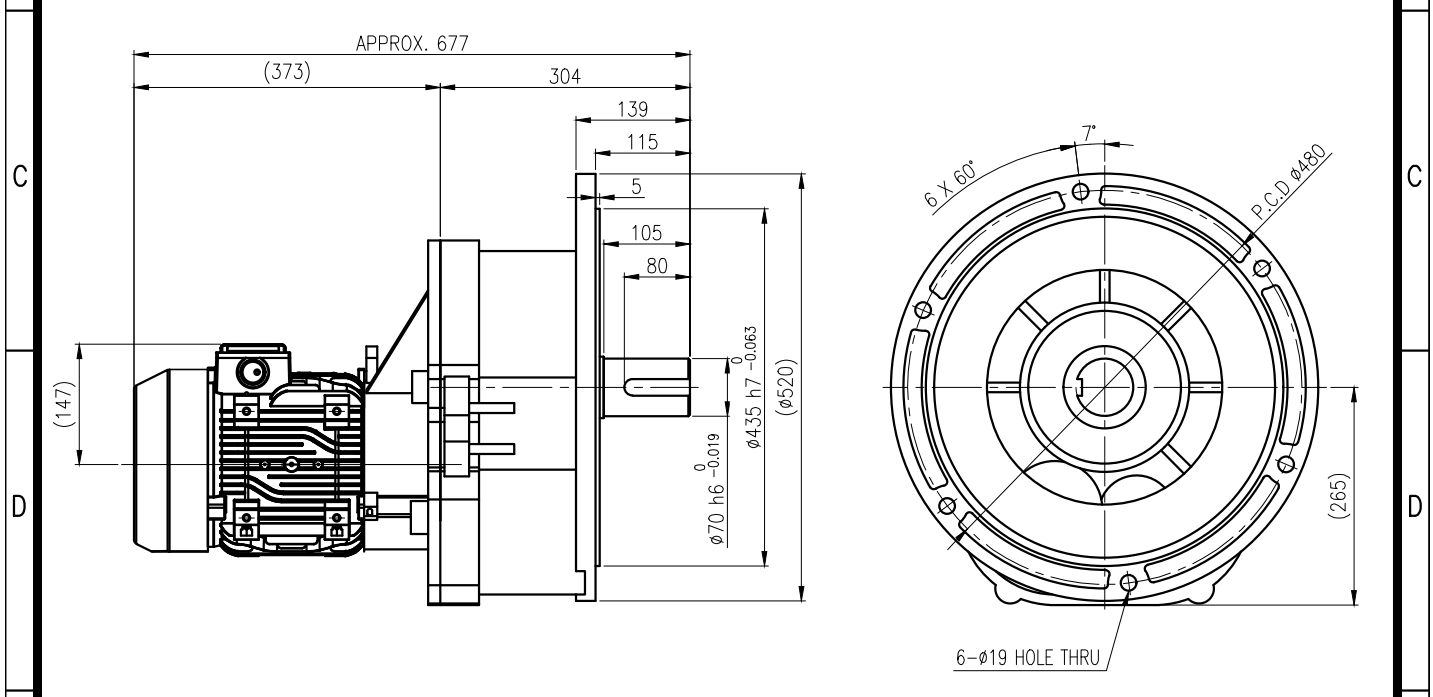
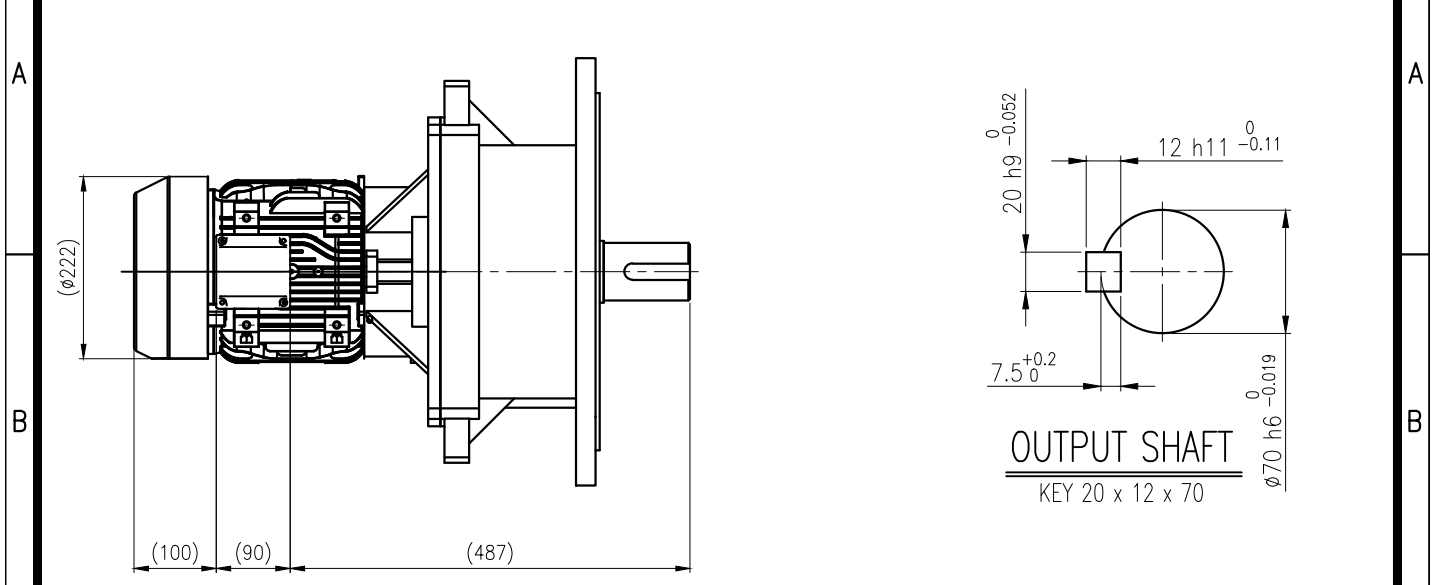


1	2	3	4	5
No.	NAME	MATERIAL	DWG/MATL No.	CODE Q'TY
				0



		BEARING			
		INPUT PINION	6205ZZ	6207ZZ	
OIL SEAL		2ND PINION	6306ZZ	6306ZZ	GREASE : NLGI(EP)00
MOTOR SHAFT	D(M) 35 x 47 x 7	3RD PINION	6307ZZ	6308ZZ	ABOUT 8.9 kg
OUTPUT SHAFT	D(M) 75 x 100 x 13	OUTPUT SHAFT	6311ZZ	21315	WEIGHT 171 kg

		외형도 OUTLINE DIMENSION				DWG NAME	
		DWG No. <b>EK2DO100029H0001</b>				UNIT	mm
		SCALE				1:1	
No.	DATE	DESIGNER		DESIGNED	CHECKED	REVIEWED	APPROVED
		DESCRIPTION of REVISION		22.02.14	22.02.14	22.02.14	22.02.14
A4(210X297mm)		FORM		YUN.H.J	KIM.H.M	JUNG.S.S	HONG.W.O
CE-14-0100-444		DATE		2013.11.20		DATE 2022-02-14	
2013.11.20		HYOSUNG HEAVY INDUSTRIES		REVISION No.		01	
TYPE		F1VA_27_3.7kW_75~120:1_프리미엄		THIRD ANGLE PROJECTION			
		REF. No.		-		A	

The information written in this drawing is HYOSUNG HEAVY INDUSTRIES's property, and may not be disclosed and/or reproduced without the prior official permission of HYOSUNG HEAVY INDUSTRIES Corp.

이 도면상에 표시된 정보는 호성중공업(주)의 소유이며 당사의 사전 서면동의 없이 무단사용을 금합니다.