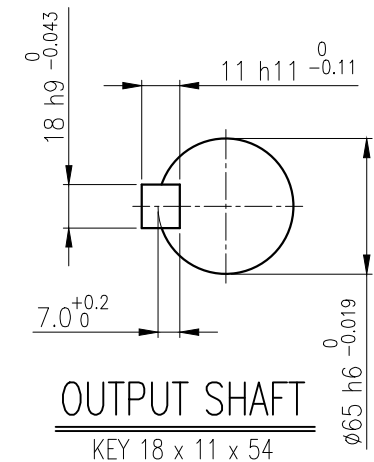
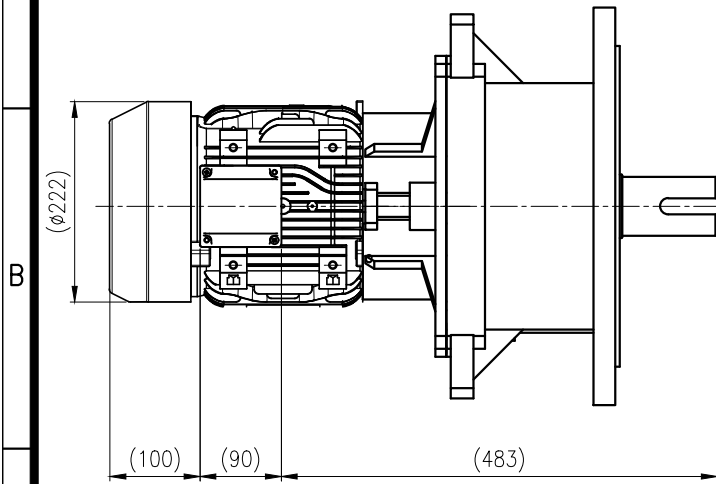
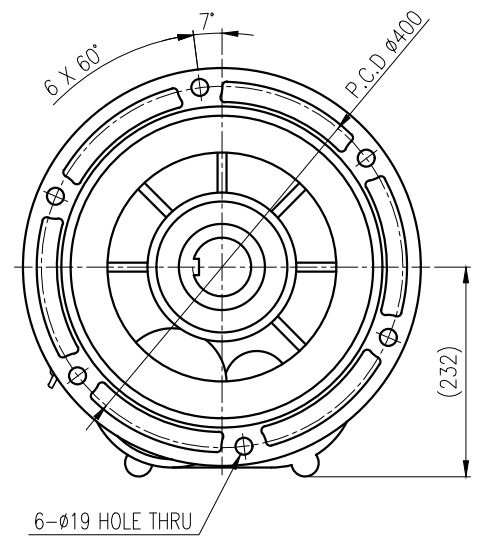
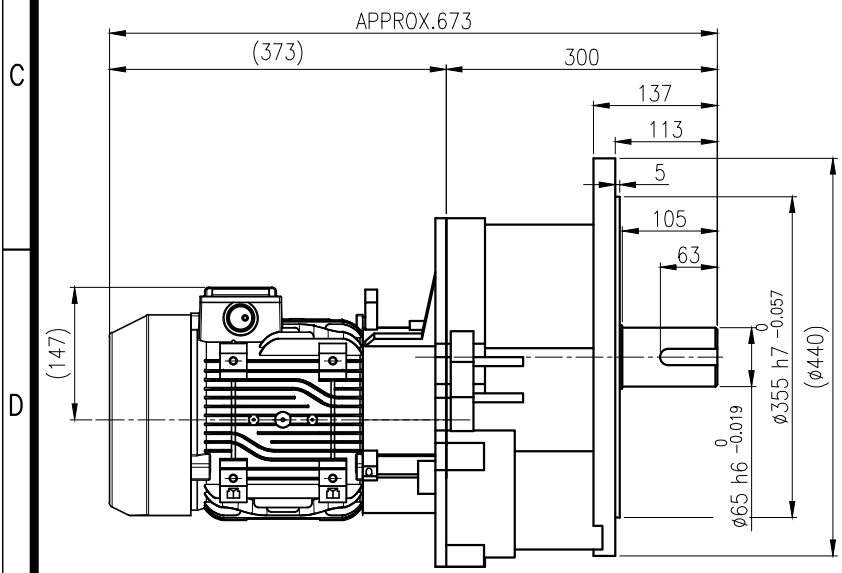


| | | | | |
|-----|------|----------|--------------|-----------|
| 1 | 2 | 3 | 4 | 5 |
| No. | NAME | MATERIAL | DWG/MATL No. | CODE Q'TY |
| | | | | 0 |

A A



C C



| | | | | | |
|--------------|-------------------|--------------|--------|--------|---------------------|
| | | BEARING | | | |
| | | INPUT PINION | 6205ZZ | 6207ZZ | |
| OIL SEAL | | 2ND PINION | 6207ZZ | 6205ZZ | GREASE : NLGI(EP)00 |
| MOTOR SHAFT | D(M) 35 x 47 x 7 | 3RD PINION | 6207ZZ | 6309ZZ | ABOUT 7.0 kg |
| OUTPUT SHAFT | D(M) 70 x 95 x 13 | OUTPUT SHAFT | PM5060 | 22214 | WEIGHT 134 kg |

| | | | | | |
|-----|------|-------------------------|--|--------------------------|------------|
| | | DWG NAME | | 외형도 OUTLINE DIMENSION | |
| | | DWG No. | | EK2DO100026H0001 | |
| | | UNIT | | mm | |
| | | SCALE | | 1:1 | |
| No. | DATE | DESIGNER | | DESIGNED | CHECKED |
| | | DESCRIPTION of REVISION | | REVIEWED | APPROVED |
| | | | | DATE | 2022-02-14 |
| | | | | DESIGNED | 22.02.14 |
| | | | | CHECKED | 22.02.14 |
| | | | | REVIEWED | 22.02.14 |
| | | | | APPROVED | 22.02.14 |
| | | | | DATE | 2022-02-14 |
| | | | | REVISION No. | 01 |
| | | | | THIRD ANGLE PROJECTION | |
| | | | | REF. No. | - |
| | | | | A | |



TYPE F1VA_23_3.7kW_60:1_프리미엄

이 도면상에 표시된 정보는 호성중공업(주)의 소유이며 당사의 사전 서면동의 없이 무단사용을 금합니다.