

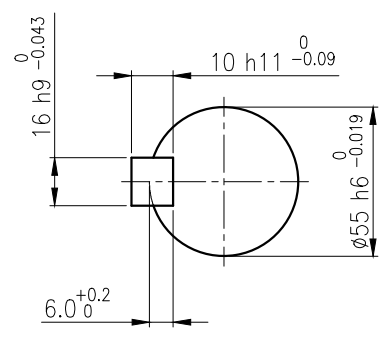
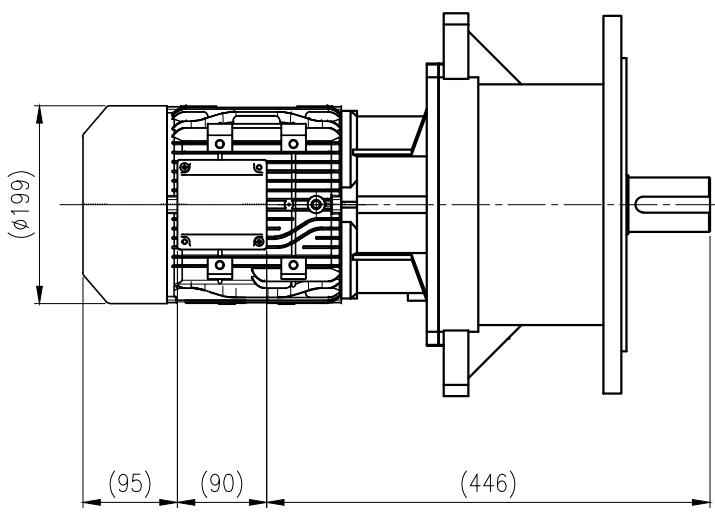
1	2	3	4	5				
No.	NAME	MATERIAL	DWG/MATL No.	CODE	Q'TY	SIZE	WEIGHT	REMARK
					0			

A

A

B

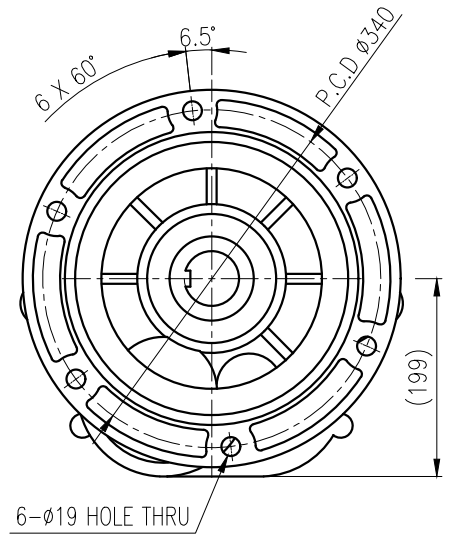
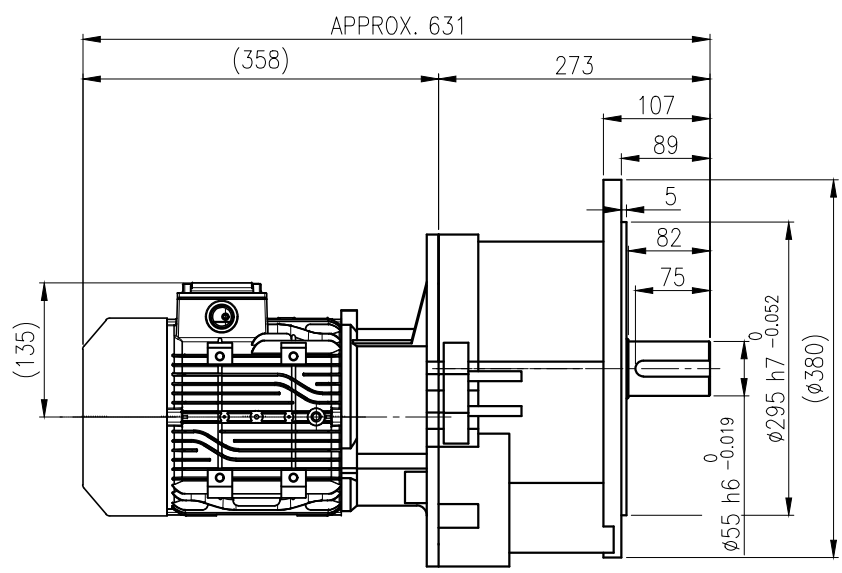
B



OUTPUT SHAFT
KEY 16 x 10 x 67

C

C



E

E

			BEARING		
			INPUT SHAFT	6205ZZ 6207ZZ	
	OIL SEAL		2ND PINION	6205ZZ 6204ZZ	GREASE : NLGI(EP)00
MOTOR SHAFT	D(M) 35 x 47 x 7		3RD PINION	6208ZZ 6308ZZ	ABOUT 4.1 kg
OUTPUT SHAFT	D(M) 60 x 85 x 12	OUTPUT SHAFT	PM4530 22212		WEIGHT 100 kg

F

F

		DWG NAME		외형도 OUTLINE DIMENSION			
		DWG No.		EK2DO100025H0001		UNIT	mm
						SCALE	1:1
No.	DATE	DESCRIPTION of REVISION		DESIGNED	CHECKED	REVIEWED	APPROVED
				22.02.14	22.02.14	22.02.14	22.02.14
				YUN.H.J	KIM.H.M	JUNG.S.S	HONG.W.C
FORM						DATE	2022-02-14
A4(210X297mm)						REVISION No.	01
CE-14-0100-444						THIRD ANGLE PROJECTION	
2013.11.20							
TYPE		F1VA_20_2.2kW_60~120:1_프리미엄		REF. No.		-	
						A	

이 도면상에 표시된 정보는 호성중공업(주)의 소유이며 당사의 사전 서면동의 없이 무단사용을 금합니다.