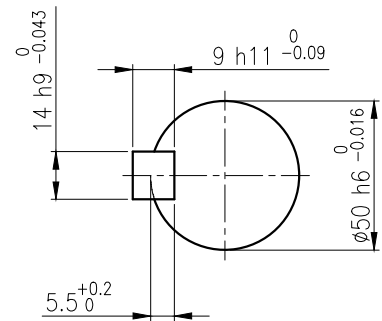
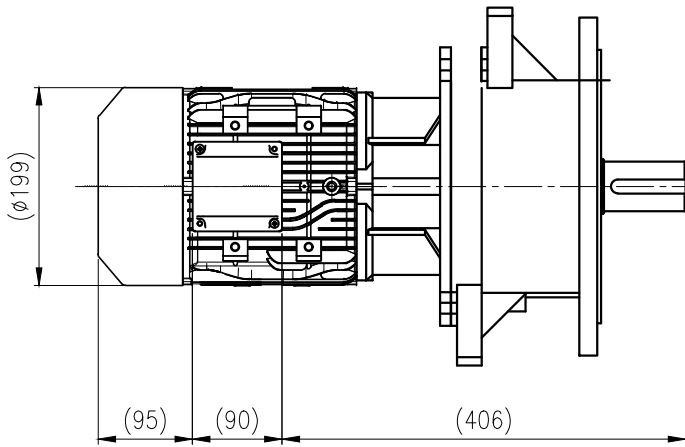


| | | | | | |
|-----|------|----------|--------------|-----------|--------------------|
| | 1 | 2 | 3 | 4 | 5 |
| No. | NAME | MATERIAL | DWG/MATL No. | CODE Q'TY | SIZE WEIGHT REMARK |
| | | | | 0 | |

A

A



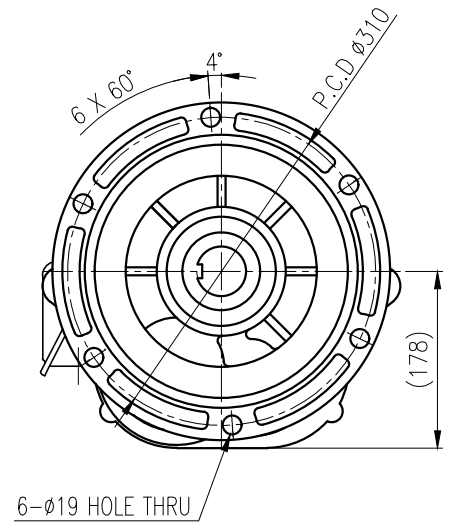
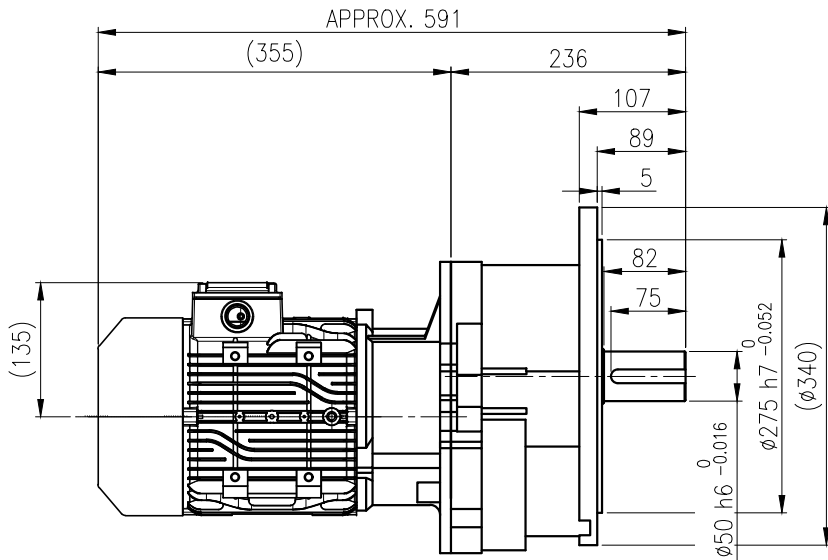
OUTPUT SHAFT
KEY 14 x 9 x 68

B

B

C

C



D

D

E

| | | | | |
|--------------|-------------------|--------------|---------------|---------------------|
| | | BEARING | | |
| | | INPUT SHAFT | 6205ZZ 6207ZZ | |
| | OIL SEAL | 2ND PINION | 6204ZZ 6203ZZ | GREASE : NLGI(EP)00 |
| MOTOR SHAFT | D(M) 35 x 47 x 7 | 3RD PINION | 6206ZZ 6307ZZ | ABOUT 3.0 kg |
| OUTPUT SHAFT | D(M) 55 x 78 x 12 | OUTPUT SHAFT | PM3530 22211 | WEIGHT 82 kg |

F

| | | | | | |
|---|------|--------------------------------------|--|------------------------|------------|
| | | DWG NAME 외형도 OUTLINE DIMENSION | | | |
| | | DWG No. EK2DO100023H0001 | | UNIT mm | |
| | | | | SCALE 1:1 | |
| No. | DATE | DESCRIPTION of REVISION | | DESIGNED | CHECKED |
| | | | | 22.02.14 | 22.02.14 |
| | | | | YUN.H.J | KIM.H.M |
| | | | | 22.02.14 | 22.02.14 |
| | | | | JUNG.S.S | HONG.W.C |
| | | | | DATE | 2022-02-14 |
| | | | | REVISION No. | 01 |
| | | | | THIRD ANGLE PROJECTION | |
| A4(210X297mm) FORM CE-14-0100-444 2013.11.20 | | HYOSUNG HEAVY INDUSTRIES | | REF. No. — | |
| TYPE F1VA_18_2.2W_40~100:1_프리미엄 | | | | A | |

이 도면상에 표시된 정보는 호성중공업(주)의 소유이며 당사의 사전 서면동의 없이 무단사용을 금합니다.