

1	2	3	4	5				
No.	NAME	MATERIAL	DWG/MATL No.	CODE	Q'TY	SIZE	WEIGHT	REMARK
					0			

A

B

C

D

E

F

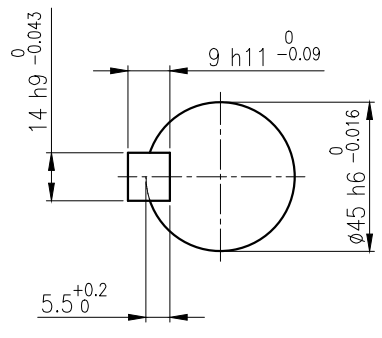
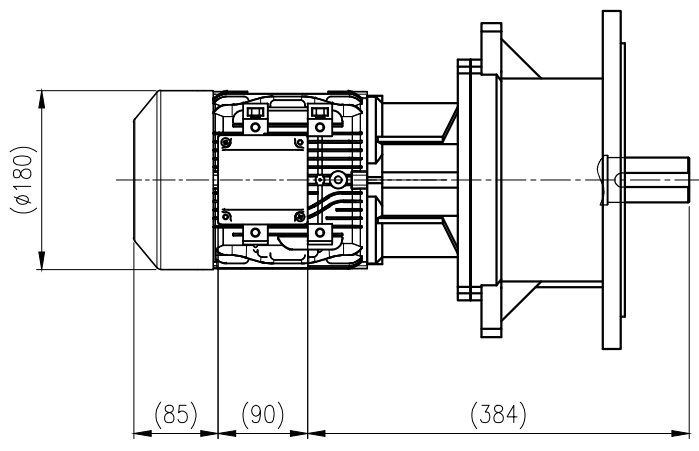
A

B

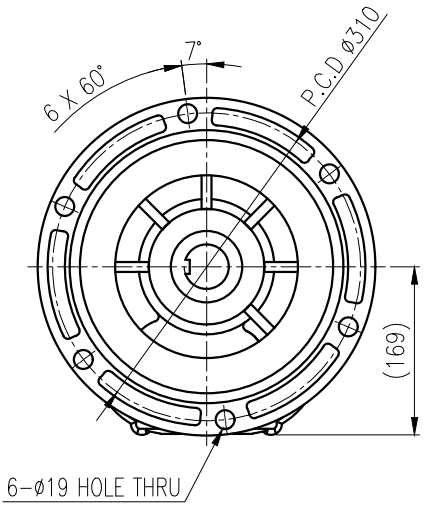
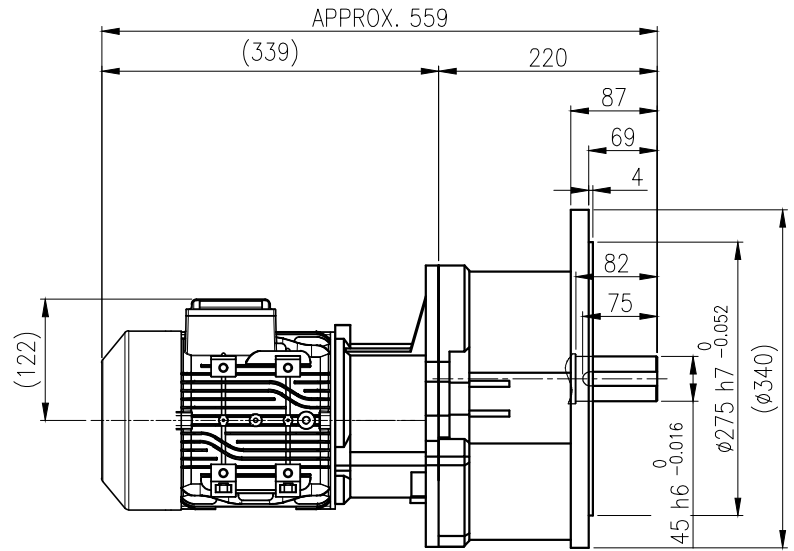
C

D

이 도면상에 표시된 정보는 호성중공업(주)의 소유이며 당사의 사전 서면동의 없이 무단사용을 금합니다.



OUTPUT SHAFT
KEY 14 x 9 x 68



		BEARING		
		INPUT SHAFT	6204ZZ 6205ZZ	
OIL SEAL		2ND PINION	6204ZZ 6203ZZ	GREASE : NLGI(EP)00
MOTOR SHAFT	D(M) 25 x 38 x 8	3RD PINION	6205ZZ 6305ZZ	ABOUT 2.7 kg
OUTPUT SHAFT	D(M) 50 x 72 x 12	OUTPUT SHAFT	PM3530 6310ZZ	WEIGHT 67 kg

		DWG NAME		외형도 OUTLINE DIMENSION			
		DWG No.		EK2DO100021H0001		UNIT	mm
						SCALE	1:1
No.	DATE	DESCRIPTION of REVISION		DESIGNED	CHECKED	REVIEWED	APPROVED
				22.02.14	22.02.14	22.02.14	22.02.14
				YUN.H.J	KIM.H.M	JUNG.S.S	HONG.W.C
A4(210x297mm)		FORM		REVISION No. 01			
CE-14-0100-444		2013.11.20		THIRD ANGLE PROJECTION			
TYPE		F1VA_17_1.5kW_40~120:1_프리미엄		REF. No.		-	
						A	