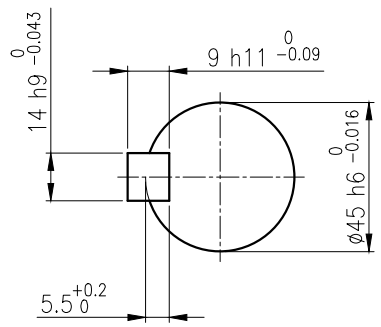
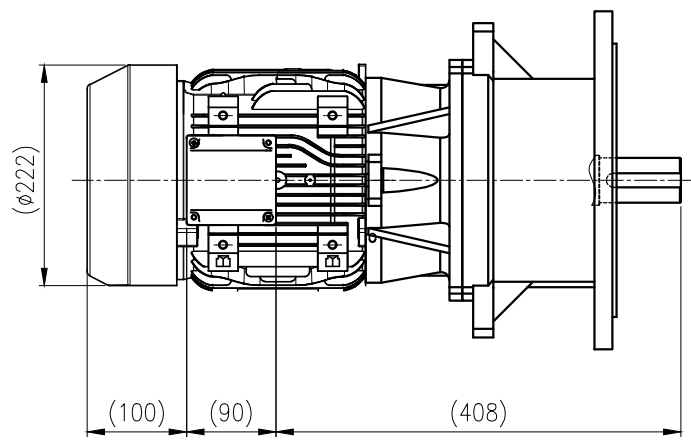


1	2	3	4	5
No.	NAME	MATERIAL	DWG/MATL No.	CODE Q'TY
				0
				SIZE
				WEIGHT
				REMARK

A

A



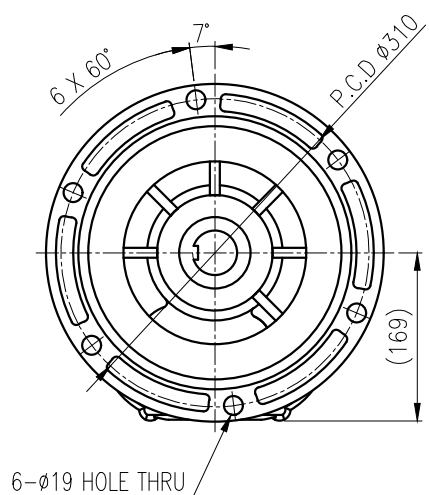
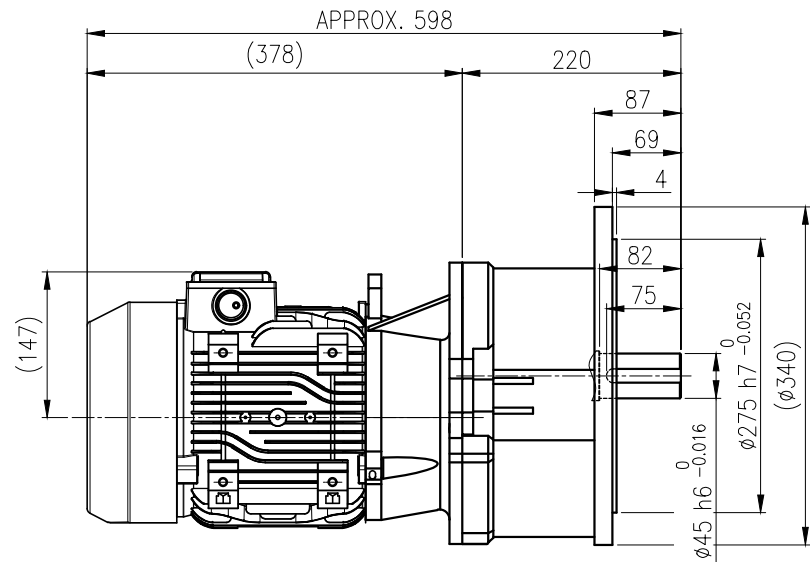
OUTPUT SHAFT
KEY 14 x 9 x 68

B

B

C

C



D

D

E

		BEARING		
		INPUT SHAFT	6205ZZ 6207ZZ	
OIL SEAL		2ND PINION	6205ZZ 6305ZZ	GREASE : NLGI(EP)00
MOTOR SHAFT	D(M) 35 x 47 x 7	3RD PINION	-	ABOUT 3.0 kg
OUTPUT SHAFT	D(M) 50 x 72 x 12	OUTPUT SHAFT	PM3530 6310ZZ	WEIGHT 85 kg

F

		DWG NAME		외형도 OUTLINE DIMENSION	
		DWG No. EK2DO100019H0001		UNIT	mm
				SCALE	1:1
No.	DATE	DESIGNED	CHECKED	REVIEWED	APPROVED
		22.02.14	22.02.14	22.02.14	22.02.14
		YUN.H.J	KIM.H.M	JUNG.S.S	HONG.W.C
		DESCRIPTION of REVISION		DATE	2022-02-14
				REVISION No.	01
				THIRD ANGLE PROJECTION	
		TYPE		REF. No.	-
		F1VA_17_3.7kW_5~20:1_프리미엄			(A)

이 도면상에 표시된 정보는 호성중공업(주)의 소유이며 당사의 사전 서면동의 없이 무단사용을 금합니다.