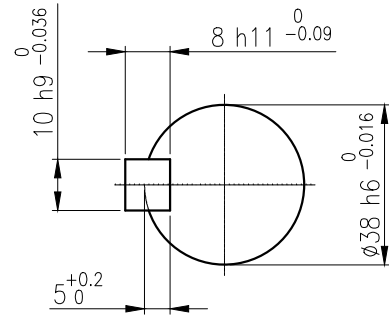
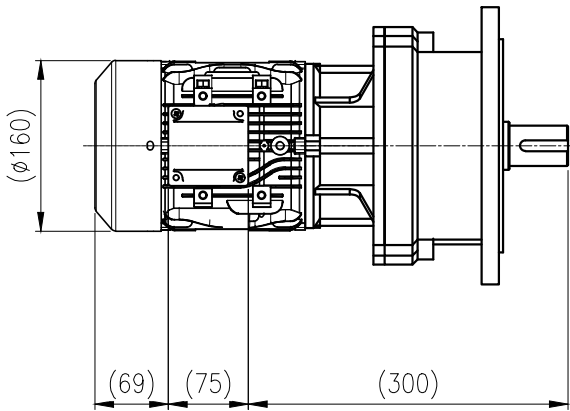
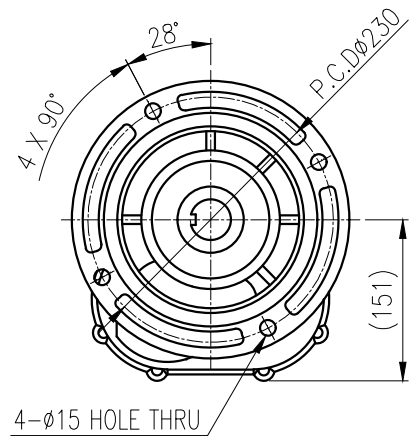
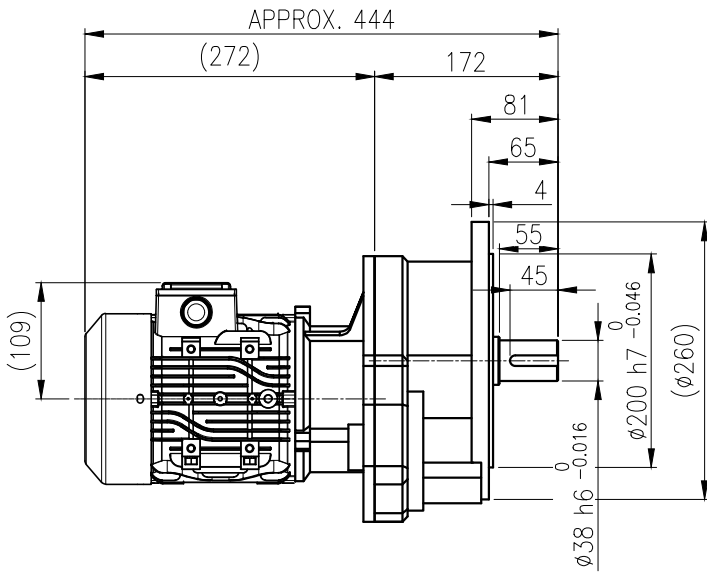


| 1 | 2 | 3 | 4 | 5 | | | | |
|-----|------|----------|--------------|------|------|------|--------|--------|
| No. | NAME | MATERIAL | DWG/MATL No. | CODE | Q'TY | SIZE | WEIGHT | REMARK |
| | | | | | 0 | | | |



OUTPUT SHAFT
KEY 10 x 8 x 40



| | | | | | |
|--------------|-------------------|--------------|--------|--------|---------------------|
| | | BEARING | | | |
| | | INPUT SHAFT | 6203ZZ | 6204ZZ | |
| OIL SEAL | | 2ND PINION | 6203ZZ | 6202ZZ | GREASE : NLGI(EP)00 |
| MOTOR SHAFT | D(M) 20 x 32 x 8 | 3RD PINION | 6204ZZ | 6304ZZ | ABOUT 1.7 kg |
| OUTPUT SHAFT | D(M) 45 x 62 x 12 | OUTPUT SHAFT | PM3030 | 6309ZZ | WEIGHT 48 Kg |

| | | | | | |
|--------------------------|------|-------------------------|--|------------------------------|------------|
| | | DWG NAME | | 외형도 OUTKUNE DIMENSION | |
| | | DWG No. | | EK2DO100018H0001 | |
| | | UNIT | | mm | |
| | | SCALE | | 1:1 | |
| No. | DATE | DESIGNER | | DESIGNED | CHECKED |
| | | DESCRIPTION of REVISION | | REVIEWED | APPROVED |
| | | | | DATE | 2022-02-14 |
| | | | | REVISION No. | 01 |
| A4(210X297mm) | | FORM | | THIRD ANGLE PROJECTION | |
| CE-14-0100-444 | | 2013.11.20 | | | |
| HYOSUNG HEAVY INDUSTRIES | | TYPE | | F1VA_15_0.75kW_40~120:1_프리미엄 | |
| | | REF. No. | | - | |
| | | | | A | |

이 도면에 표시된 정보는 호성중공업(주)의 소유이며 당사의 사전 서면동의 없이 무단사용을 금합니다.