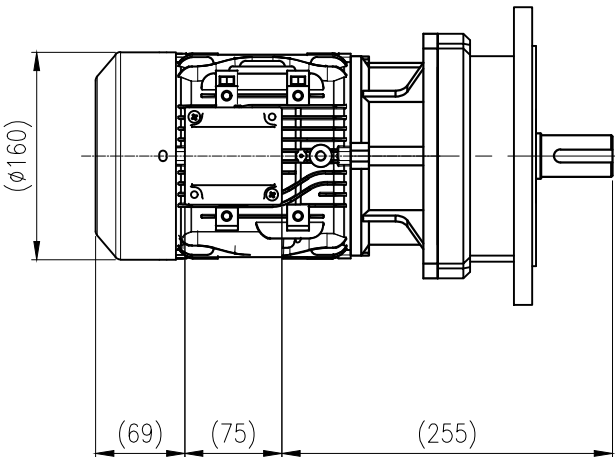
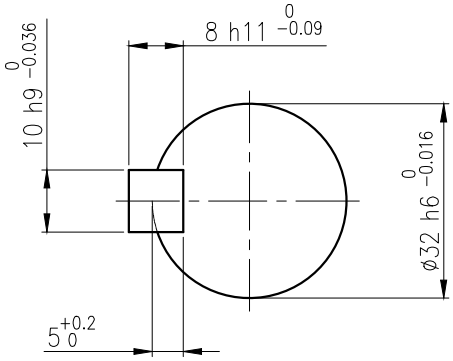
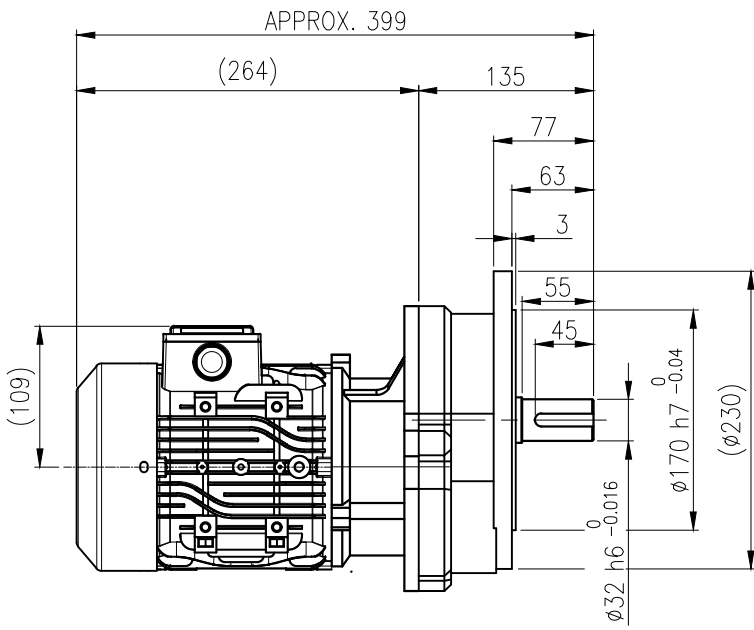
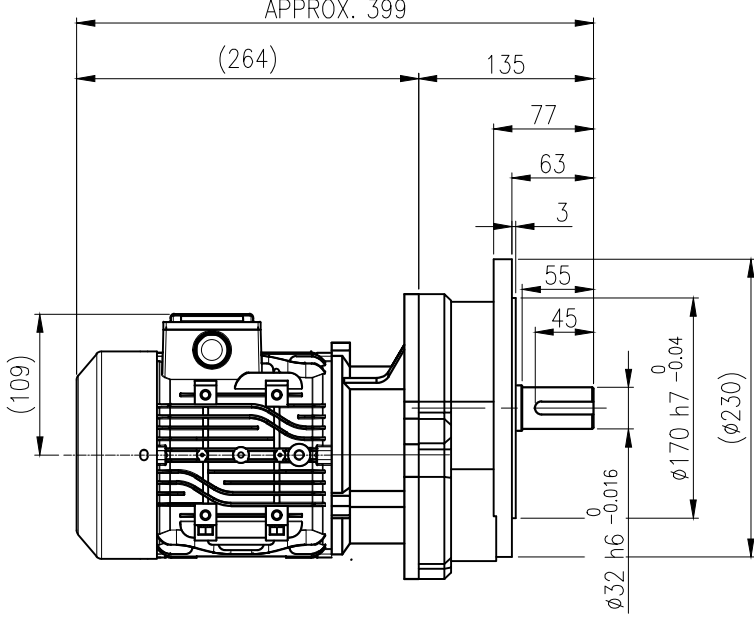
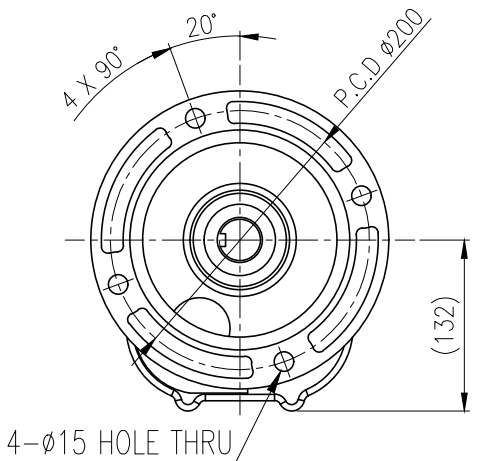


1		2		3		4		5		
No.	NAME	MATERIAL	DWG/MATL No.	CODE	Q'TY	SIZE	WEIGHT	REMARK		
					0					
A					<p style="text-align: center;"><b>OUTPUT SHAFT</b> KEY 10 x 8 x 40</p>					A
B										B
C									C	
D										D
E										E
				BEARING						
				INPUT SHAFT	6203ZZ	6204ZZ				
		OIL SEAL		2ND PINION	6202ZZ	6202ZZ	GREASE : NLGI(EP)00			
		MOTOR SHAFT		3RD PINION	-	-	ABOUT 1.1 kg			
		OUTPUT SHAFT		OUTPUT SHAFT	PM2525	6207ZZ	WEIGHT 36 kg			
				D(M) 20 x 32 x 8						
				D(M) 35 x 55 x 11						
				<p style="text-align: center;">외형도 OUTLINE DIMENSION</p>						
				DWG No. <b>EK2DO100016H0001</b>		UNIT	mm			
						SCALE	1:1			
				DESIGNED	CHECKED	REVIEWED	APPROVED	DATE	2022-02-14	
				22.02.14	22.02.14	22.02.14	22.02.14	REVISION No.	01	
				YUN.H.J	KIM.H.M	JUNG.S.S	HONG.W.C	THIRD ANGLE PROJECTION		
				REF. No.		-			A	
No. DATE DESCRIPTION of REVISION A4(210X297mm) FORM CE-14-0100-444 2013.11.20 <b>HYOSUNG HEAVY INDUSTRIES</b> TYPE F1VA_13_0.75kW_5~30:1_프리미엄										

이 도면상에 표시된 정보는 호성중공업(주)의 소유이며 당사의 사전 서면동의 없이 무단사용을 금합니다.