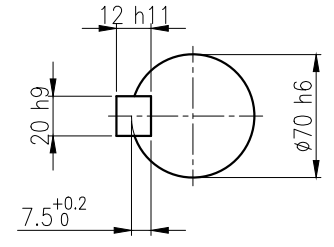
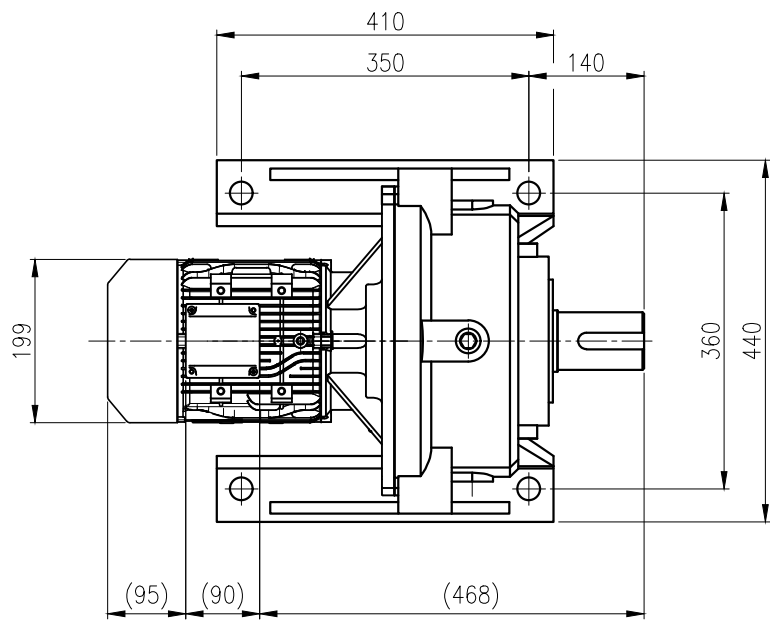


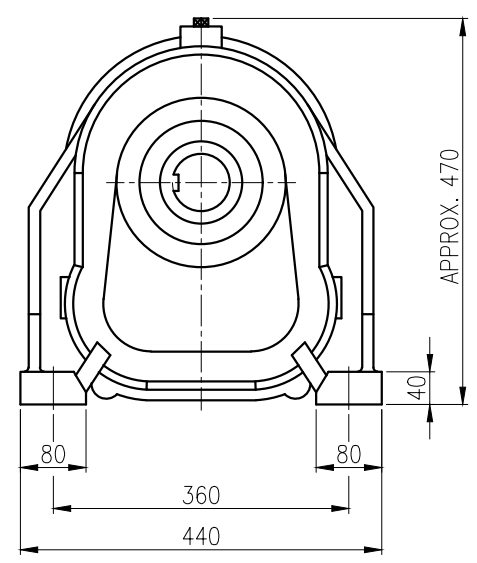
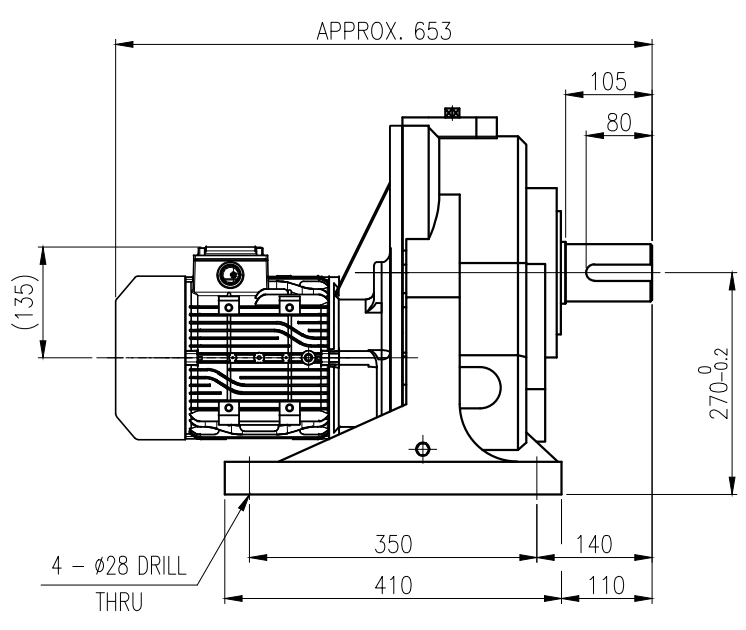
1	2	3	4	5				
No.	NAME	MATERIAL	DWG/MATL No.	CODE	Q'TY	SIZE	WEIGHT	REMARK
					0			

A  
B  
C  
D  
E  
F

A  
B  
C  
D  
E  
F



**OUTPUT SHAFT**  
KEY 20 x 12 x 70



		BEARING			
		INPUT PINION	6205ZZ	6207ZZ	
OIL SEAL		2ND PINION	6305ZZ	6306ZZ	GREASE : NLGI(EP)00
MOTOR SHAFT	D(M) 35 x 47 x 7	3RD PINION	6307ZZ	6308ZZ	ABOUT 3.0 kg
OUTPUT SHAFT	D(M) 75 x 100 x 13	OUTPUT SHAFT	6311ZZ	21315	WEIGHT 151 kg

		외형도 OUTLINE DIMENSION				DWG NAME	
		DWG No. <b>EK2DO100015H0001</b>				UNIT	mm
						SCALE	1:1
No.	DATE	DESIGNER		DESIGNED	CHECKED	REVIEWED	APPROVED
		DESCRIPTION of REVISION		22.02.14	22.02.14	22.02.14	22.02.14
		HYOSUNG HEAVY INDUSTRIES		YUN.H.J	KIM.H.M	JUNG.S.	SHONG.W.C
		TYPE F1HA_27_2.2kW_100~120:1_프리미엄		DATE		2022-02-14	
				REVISION No.		01	
				THIRD ANGLE PROJECTION			
				REF. No.		-	
						A	

이 도면상에 표시된 정보는 표명공급(주)의 소유이며 당사의 사전 서면동의 없이 무단사용을 금합니다.