

1	2	3	4	5				
No.	NAME	MATERIAL	DWG/MATL No.	CODE	Q'TY	SIZE	WEIGHT	REMARK
					0			

A

B

C

D

E

F

A

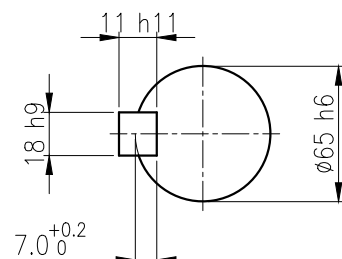
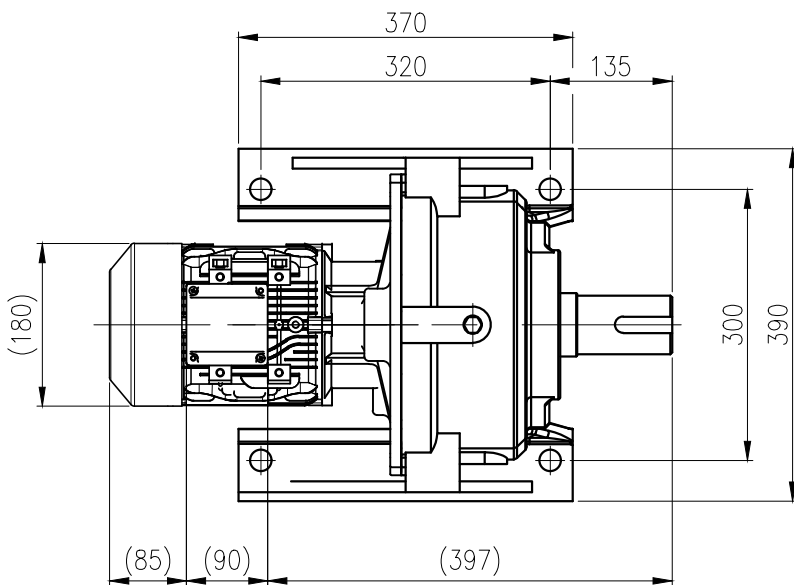
B

C

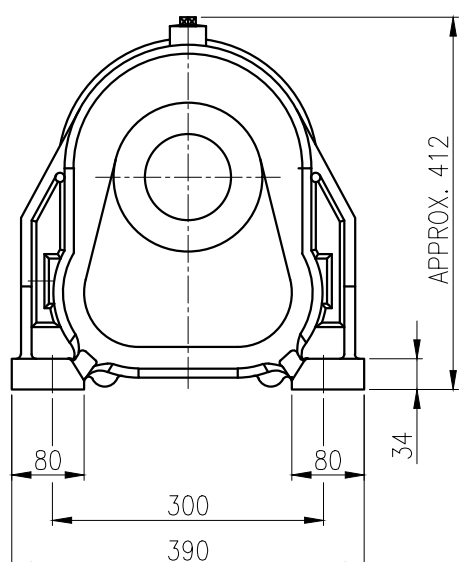
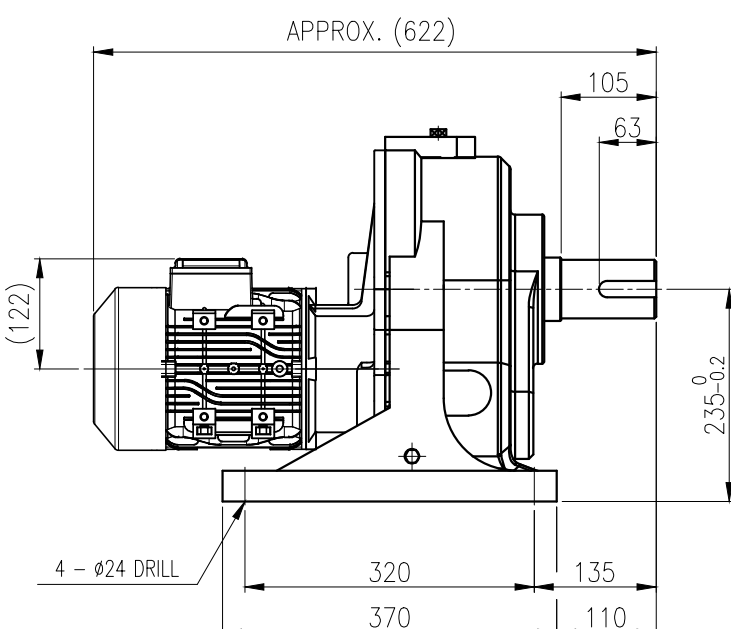
D

E

F



OUTPUT SHAFT
KEY 18 x 11 x 54



		BEARING		
		INPUT PINION	6204ZZ 6205ZZ	
OIL SEAL		2ND PINION	6204ZZ 6205ZZ	GREASE : NLGI(EP)00
MOTOR SHAFT	D(M) 25 x 38 x 8	3RD PINION	6207ZZ 6309ZZ	ABOUT 2.3 kg
OUTPUT SHAFT	D(M) 70 x 95 x 13	OUTPUT SHAFT	PM5060 22214	WEIGHT 109 kg

		외형도 OUTLINE DIMENSION				DWG NAME	
		DWG No. EK2DO100013H0001				UNIT	mm
						SCALE	1:1
No.	DATE	DESIGNED		CHECKED	REVIEWED	APPROVED	DATE 2022-02-14
		22.02.14 YUN.H.J	22.02.14 KIM.H.M	22.02.14 JUNG.S.	22.02.14 SHONG.W.C		REVISION No. 01
						THIRD ANGLE PROJECTION	
A4(210x297mm) FORM CE-14-0100-444 2013.11.20		HYOSUNG HEAVY INDUSTRIES		TYPE F1HA_23_1.5kW_100~120:1_프리미엄		REF. No. -	

이 도면상에 표시된 정보는 호성중공업(주)의 소유이며 당사의 사전 서면동의 없이 무단사용을 금합니다.