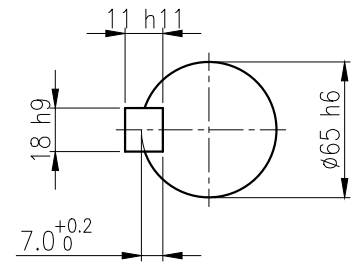
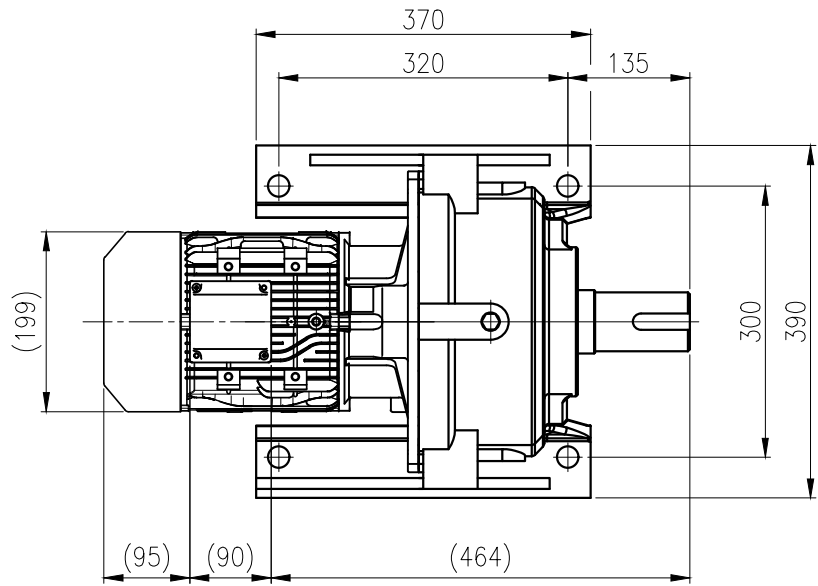


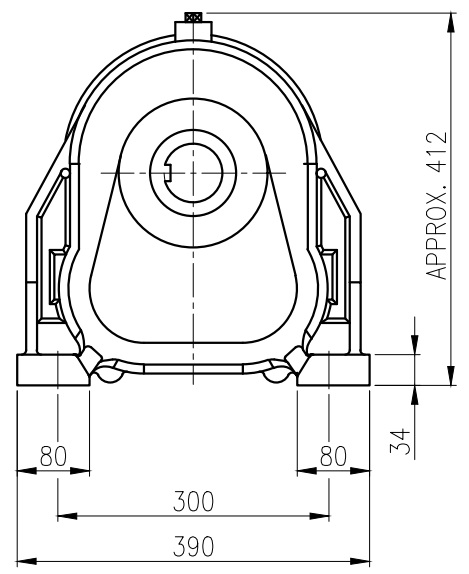
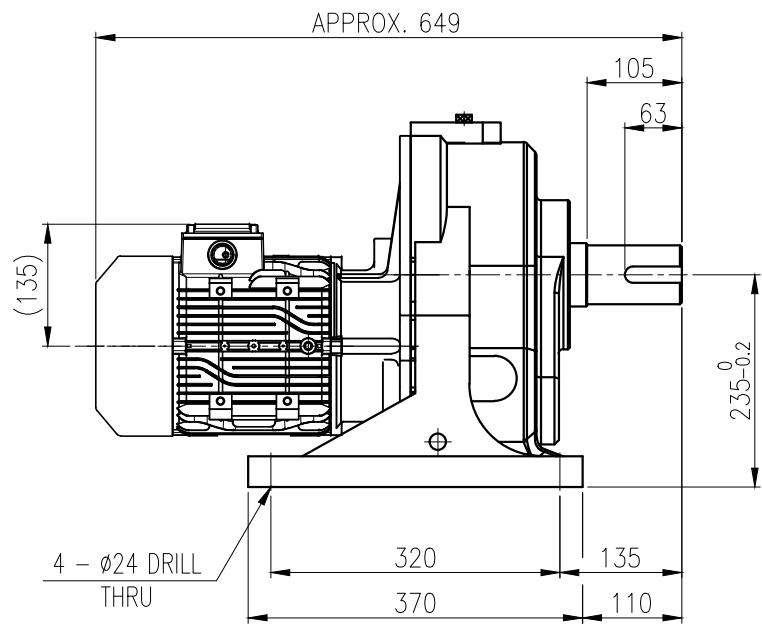
1	2	3	4	5
No.	NAME	MATERIAL	DWG/MATL No.	CODE Q'TY
				0
				SIZE
				WEIGHT
				REMARK

A
B
C
D
E
F

A
B
C
D
E
F



OUTPUT SHAFT
KEY 18 x 11 x 54



		BEARING			
		INPUT PINION	6205ZZ	6207ZZ	
OIL SEAL		2ND PINION	6205ZZ	6205ZZ	GREASE : NLGI(EP)00
MOTOR SHAFT	D(M) 35 x 47 x 7	3RD PINION	6207ZZ	6309ZZ	ABOUT 2.3 kg
OUTPUT SHAFT	D(M) 70 x 95 x 13	OUTPUT SHAFT	PM5060	22214	WEIGHT 120 kg

		DWG NAME 외형도 OUTLINE DIMENSION			
		DWG No. EK2DO100012H0001		UNIT mm	
				SCALE 1:1	
No.	DATE	DESCRIPTION of REVISION		DESIGNED	CHECKED
				22.02.14	22.02.14
				YUN.H.J	KIM.H.M
				22.02.14	22.02.14
				JUNG.S.S	SHONG.W.C
				DATE	2022-02-14
				REVISION No.	01
				THIRD ANGLE PROJECTION	
				REF. No.	-
				(A)	



TYPE F1HA_23_2.2kW_75~90:1_프리미엄

이 도면상에 표시된 정보는 호성중공업(주)의 소유이며 당사의 사전 서면동의 없이 무단사용을 금합니다.