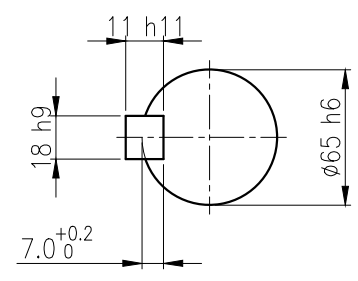
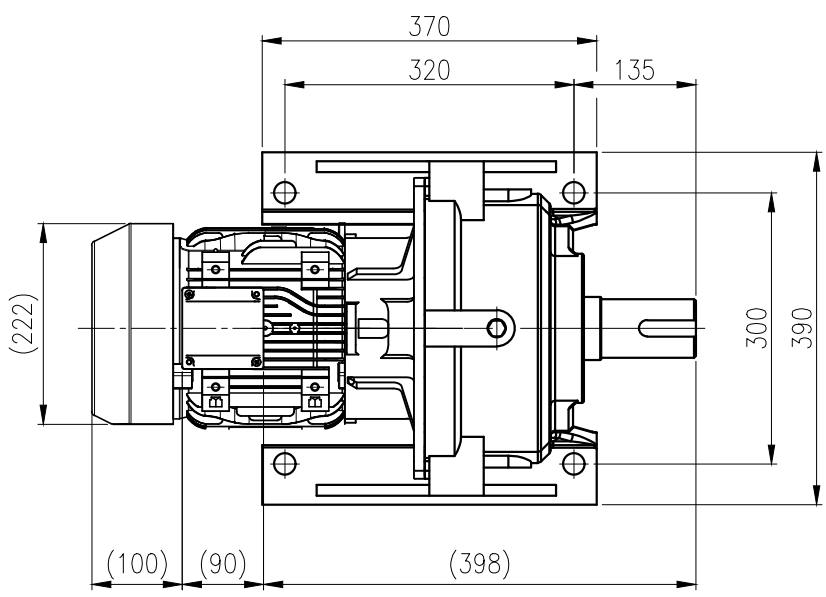


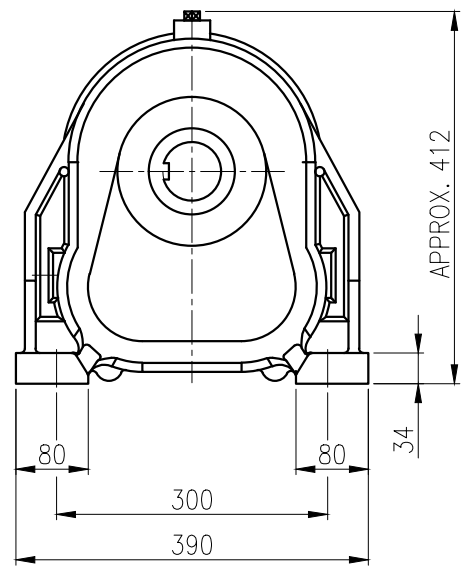
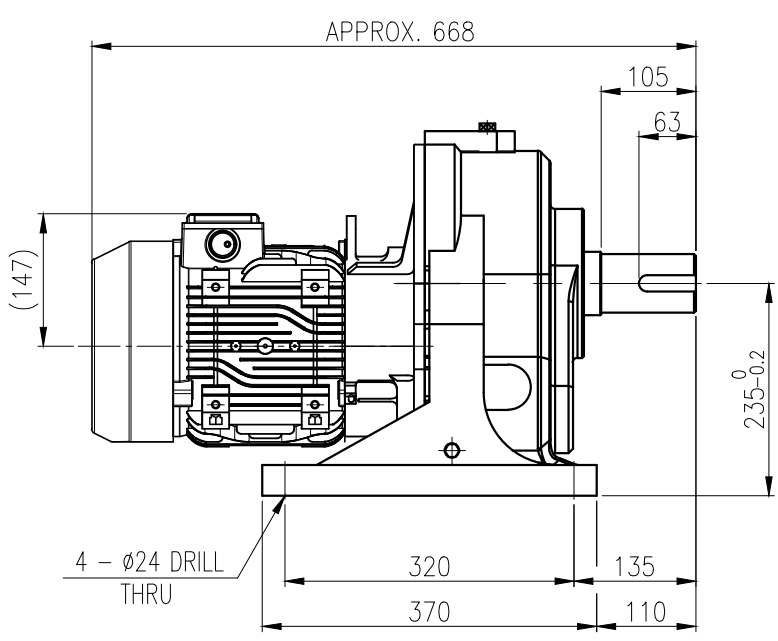
1	2	3	4	5				
No.	NAME	MATERIAL	DWG/MATL No.	CODE	Q'TY	SIZE	WEIGHT	REMARK
					0			

A
B
C
D
E
F

A
B
C
D
E
F



OUTPUT SHAFT
KEY 18 x 11 x 54



		BEARING			
		INPUT SHAFT	6205ZZ	6207ZZ	
OIL SEAL		2ND PINION	6207ZZ	6205ZZ	GREASE : NLGI(EP)00
MOTOR SHAFT	D(M) 35 x 47 x 7	3RD PINION	6207ZZ	6309ZZ	ABOUT 2.3 kg
OUTPUT SHAFT	D(M) 70 x 95 x 13	OUTPUT SHAFT	PM5060	22214	WEIGHT 129 kg

		외형도 OUTLINE DIMENSION							
		DWG No. EK2DO100011H0001		UNIT	mm				
				SCALE	1:1				
No.	DATE	DESCRIPTION of REVISION		DESIGNED	CHECKED	REVIEWED	APPROVED	DATE	2022-02-14
A4(210x297mm)	FORM CE-14-0100-444 2013.11.20			22.02.14 YUN.H.J	22.02.14 KIM.H.M	22.02.14 JUNG.S.S	22.02.14 SHONG.W.C	REVISION No.	01
TYPE				F1HA_23_3.7kW_60:1_프리미엄		THIRD ANGLE PROJECTION			
		REF. No.	-					A	

The information written in this drawing is HYOSUNG HEAVY INDUSTRIES's property, and may not be disclosed and/or reproduced without the prior official permission of HYOSUNG HEAVY INDUSTRIES Corp.

이 도면상에 표시된 정보는 호성중공업(주)의 소유이며 당사의 사전 서면동의 없이 무단사용을 금합니다.