

1	2	3	4	5				
No.	NAME	MATERIAL	DWG/MATL No.	CODE	Q'TY	SIZE	WEIGHT	REMARK
					0			

A

B

C

D

E

F

A

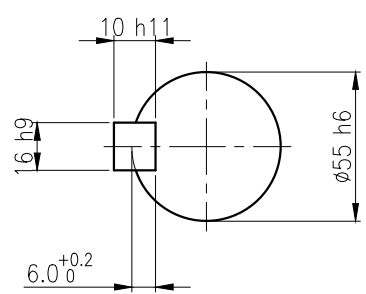
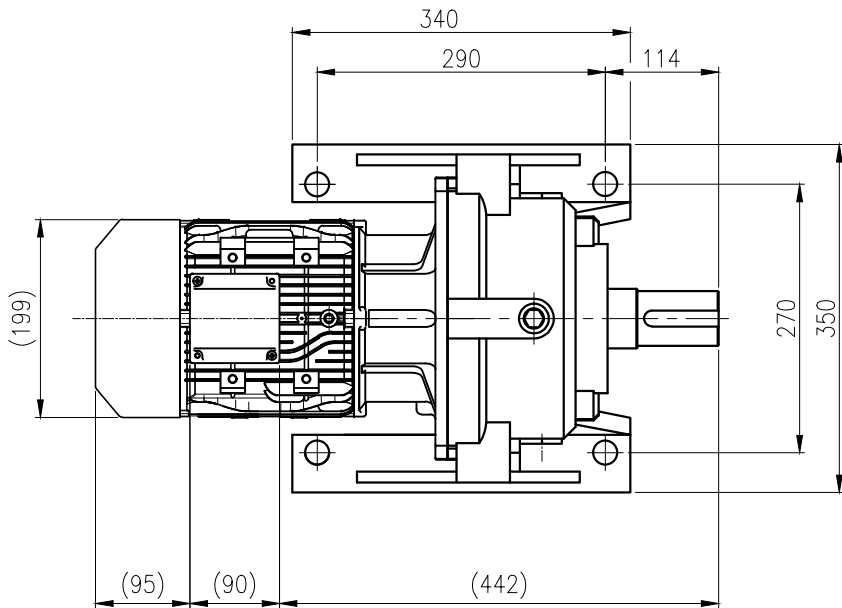
B

C

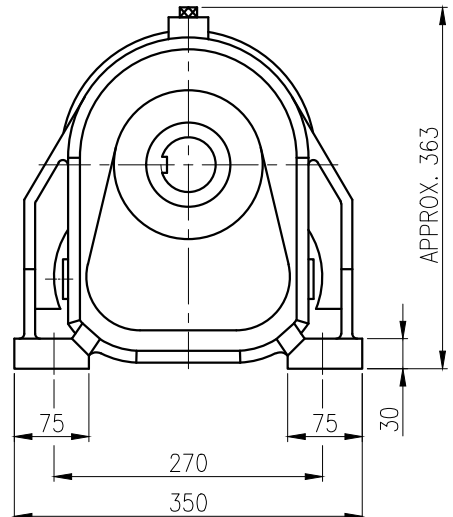
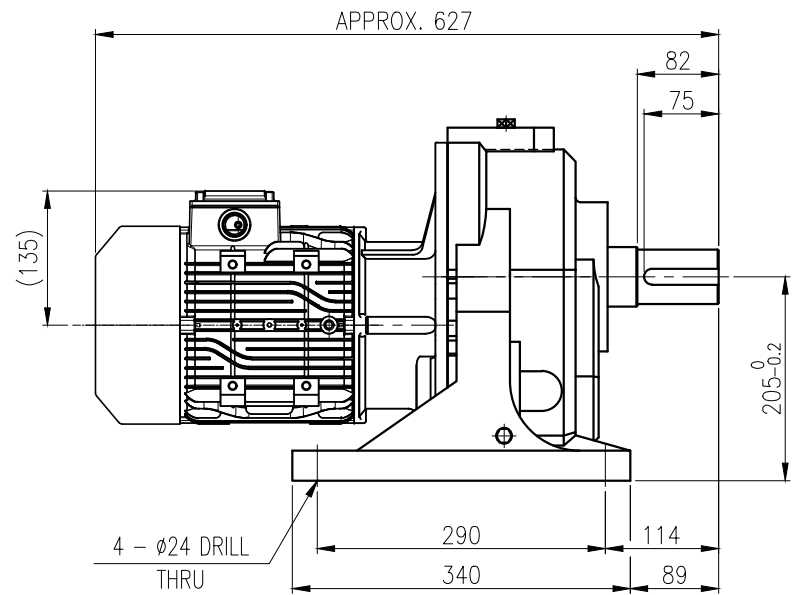
D

E

F



**OUTPUT SHAFT**  
KEY 16 x 10 x 67



			BEARING		
			INPUT SHAFT	6205ZZ 6207ZZ	
	OIL SEAL		2ND PINION	6205ZZ 6204ZZ	GREASE : NLGI(EP)00
	MOTOR SHAFT	D(M) 35 x 47 x 7	3RD PINION	6208ZZ 6308ZZ	ABOUT 1.4 kg
	OUTPUT SHAFT	D(M) 60 x 85 x 12	OUTPUT SHAFT	PM4530 22212	WEIGHT 96 kg

		DWG NAME		외형도 OUTLINE DIMENSION			
		DWG No.		<b>EK2DO100010H0001</b>		UNIT	mm
						SCALE	1:1
No.	DATE	DESCRIPTION of REVISION		DESIGNED	CHECKED	REVIEWED	APPROVED
				22.02.14	22.02.14	22.02.14	22.02.14
				YUN.H.J	KIM.H.M	JUNG.S.S	SHONG.W.C
						DATE	2022-02-14
						REVISION No.	01
						THIRD ANGLE PROJECTION	
						REF. No.	-
						(A)	

A4(210X297mm)  
FORM  
CE-14-0100-444  
2013.11.20



TYPE F1HA\_20\_2.2W\_60~120:1\_프리미엄

이 도면상에 표시된 정보는 호성중공업(주)의 소유이며 당사의 사전 서면동의 없이 무단사용을 금합니다.