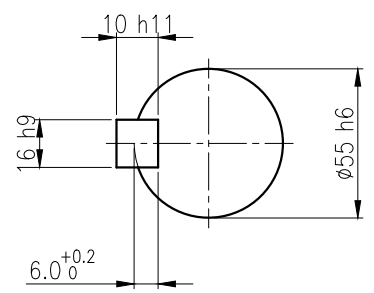
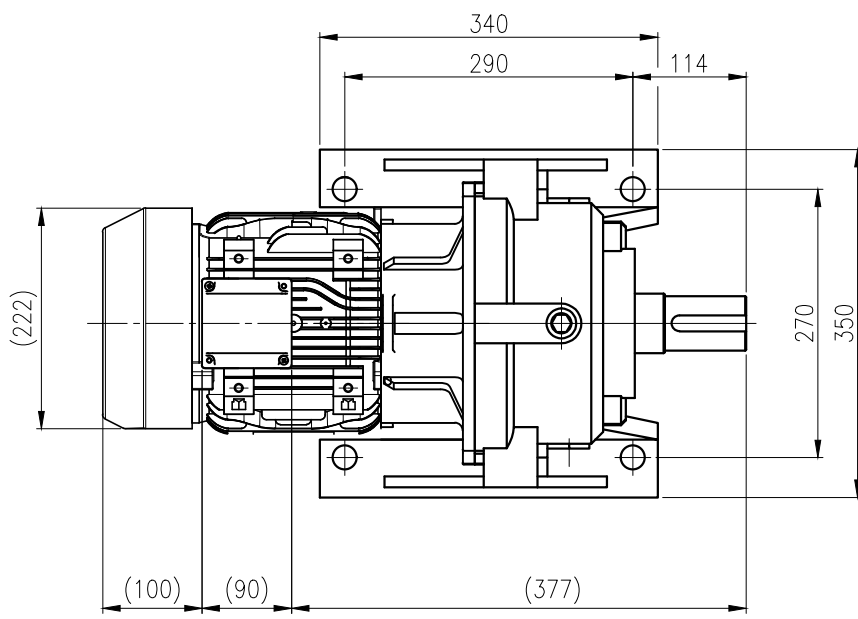


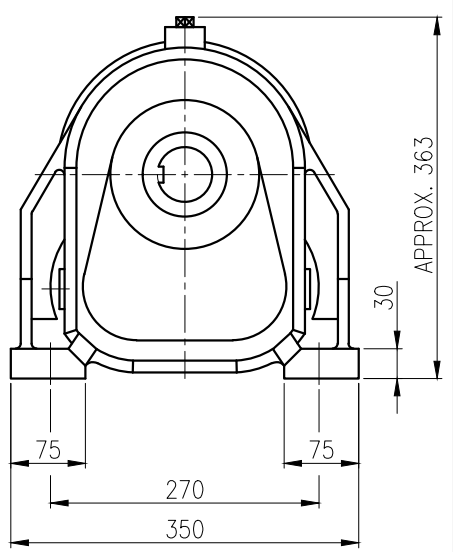
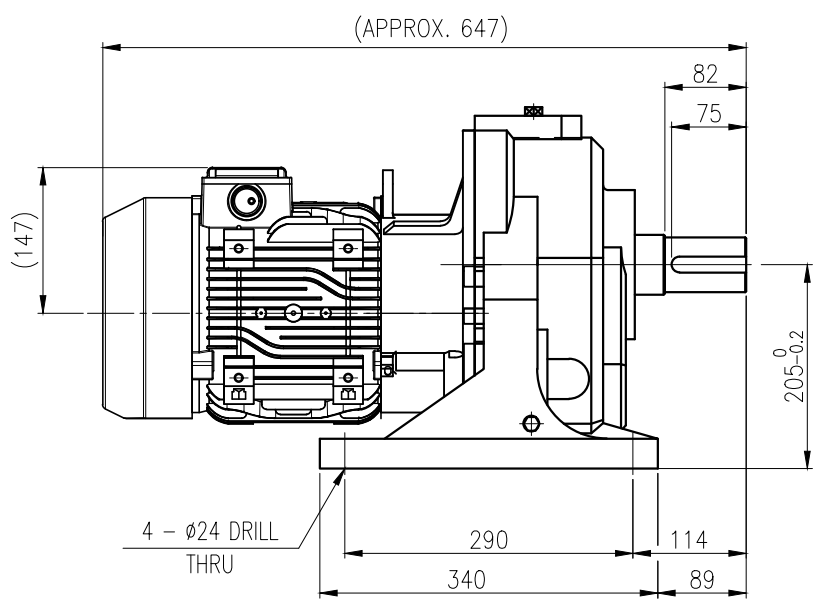
1	2	3	4	5				
No.	NAME	MATERIAL	DWG/MATL No.	CODE	Q'TY	SIZE	WEIGHT	REMARK
					0			

A  
B  
C  
D  
E  
F

A  
B  
C  
D  
E  
F



**OUTPUT SHAFT**  
KEY 16 x 10 x 67



		BEARING		
		INPUT SHAFT	6205ZZ 6207ZZ	
	OIL SEAL	2ND PINION	6205ZZ 6204ZZ	GREASE : NLGI(EP)00
MOTOR SHAFT	D(M) 35 x 47 x 7	3RD PINION	6208ZZ 6308ZZ	ABOUT 1.5 kg
OUTPUT SHAFT	D(M) 60 x 85 x 12	OUTPUT SHAFT	PM4530 22212	WEIGHT 105 kg

DWG NAME		외형도 OUTLINE DIMENSION			
DWG No.		<b>EK2DO100009H0001</b>		UNIT	mm
				SCALE	1:1
No.	DATE	DESIGNED	CHECKED	REVIEWED	APPROVED
		22.02.14	22.02.14	22.02.14	22.02.14
		YUN.H.J	KIM.H.M	JUNG.S.S	SHONG.W.C
DESCRIPTION of REVISION		DATE	2022-02-14		
		REVISION No.	01		
		THIRD ANGLE PROJECTION			
REF. No.		-			(A)

FORM CE-14-0100-444 2013.11.20

**HYOSUNG HEAVY INDUSTRIES**

TYPE F1HA\_20\_3.7kW\_40~60:1\_프리미엄

이 도면상에 표시된 정보는 호성중공업(주)의 소유이며 당사의 사전 서면동의 없이 무단사용을 금합니다.