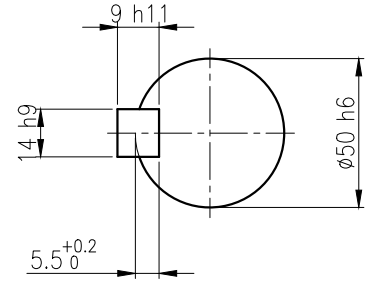
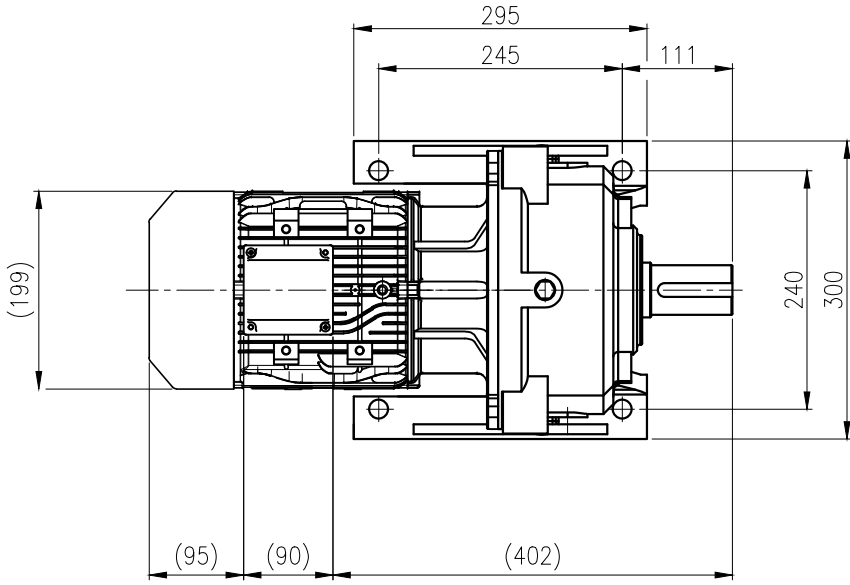


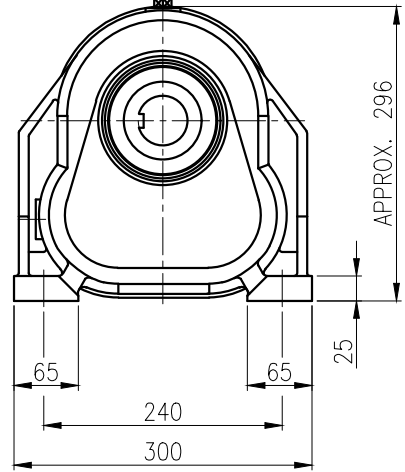
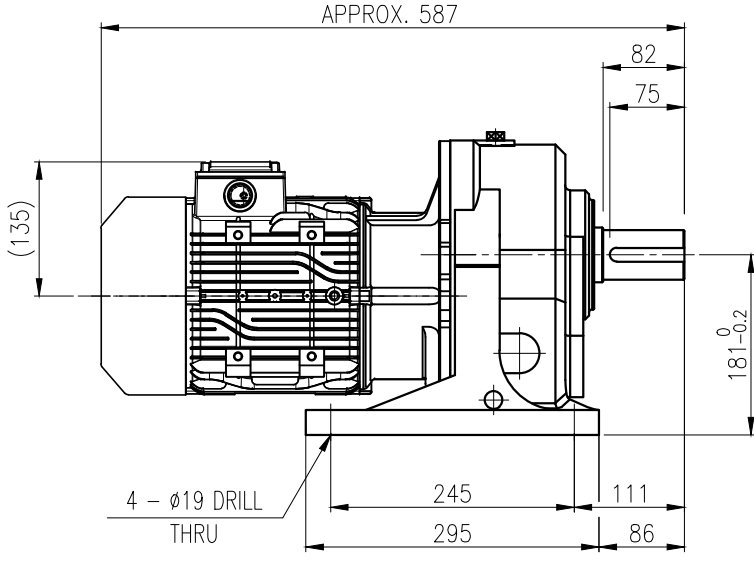
1	2	3	4	5				
No.	NAME	MATERIAL	DWG/MATL No.	CODE	Q'TY	SIZE	WEIGHT	REMARK
					0			

A
B
C
D
E
F

A
B
C
D
E
F



OUTPUT SHAFT
KEY 14 x 9 x 8



		BEARING		
		INPUT SHAFT	6205ZZ 6207ZZ	
	OIL SEAL	2ND PINION	6204ZZ 6203ZZ	GREASE : NLGI(EP)00
MOTOR SHAFT	D(M) 35 x 47 x 7	3RD PINION	6206ZZ 6307ZZ	ABOUT 1.0 kg
OUTPUT SHAFT	D(M) 55 x 78 x 12	OUTPUT SHAFT	PM3530 22211	WEIGHT 78 kg

		DWG NAME		외형도 OUTLINE DIMENSION			
		DWG No.		EK2DO100008H0001		UNIT	mm
						SCALE	1:1
No.	DATE	DESCRIPTION of REVISION		DESIGNED	CHECKED	REVIEWED	APPROVED
				22.02.14	22.02.14	22.02.14	22.02.14
				YUN.H.J	KIM.H.M	JUNG.S.	SHONG.W.C
						DATE	2022-02-14
						REVISION No.	01
						THIRD ANGLE PROJECTION	
						REF. No.	-
						(A)	



TYPE F1HA_18_2.2W_40~100:1_프리미엄

이 도면상에 표시된 정보는 호성중공업(주)의 소유이며 당사의 사전 서면동의 없이 무단사용을 금합니다.