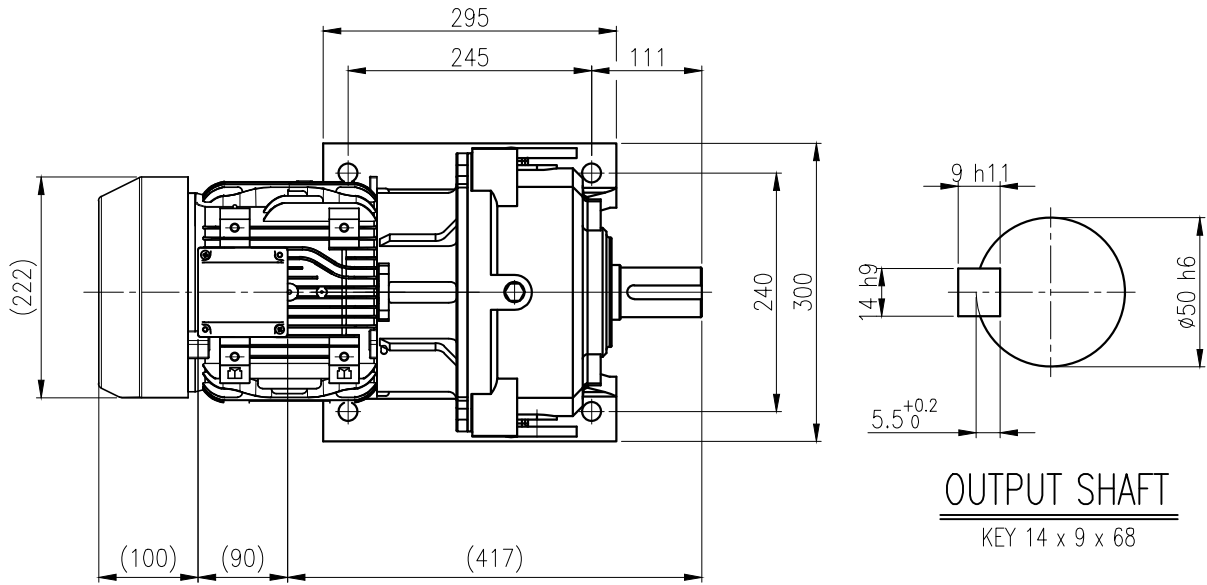


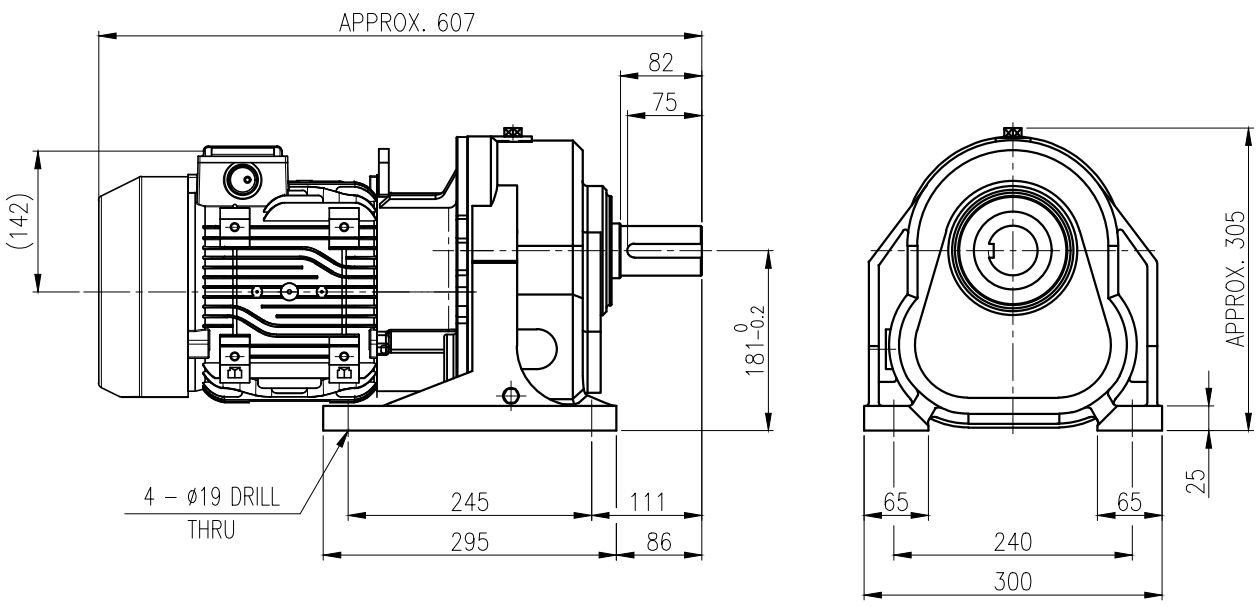
1	2	3	4	5				
No.	NAME	MATERIAL	DWG/MATL No.	CODE	Q'TY	SIZE	WEIGHT	REMARK
					0			

A  
B  
C  
D  
E  
F

A  
B  
C  
D  
E  
F



**OUTPUT SHAFT**  
KEY 14 x 9 x 68



		BEARING		
		INPUT SHAFT	6205ZZ 6207ZZ	
	OIL SEAL	2ND PINION	6206ZZ 6307ZZ	GREASE : NLGI(EP)00
MOTOR SHAFT	D(M) 35 x 47 x 7	3RD PINION	-	ABOUT 1.0 kg
OUTPUT SHAFT	D(M) 55 x 78 x 12	OUTPUT SHAFT	PM3530 22211	WEIGHT 84 kg

		DWG NAME		외형도 OUTLINE DIMENSION	
		DWG No.		UNIT	mm
		EK2DO100007H0001		SCALE	1:1
No.	DATE	DESIGNED	CHECKED	REVIEWED	APPROVED
		22.02.14	22.02.14	22.02.14	22.02.14
		YUN.H.J	KIM.H.M	JUNG.S.	SHONG.W.C
DESCRIPTION of REVISION		DATE	2022-02-14		
		REVISION No.	01		
		THIRD ANGLE PROJECTION			
TYPE		F1HA_18_3.7kW_25~30:1_프리미엄		REF. No.	-
A4(210X297mm) FORM CE-14-0100-444 2013.11.20		HYOSUNG HEAVY INDUSTRIES		A	

The information written in this drawing is HYOSUNG HEAVY INDUSTRIES's property, and may not be disclosed and/or reproduced without the prior official permission of HYOSUNG HEAVY INDUSTRIES Corp.

이 도면상에 표시된 정보는 호성중공업(주)의 소유이며 당사의 사전 서면동의 없이 무단사용을 금합니다.