

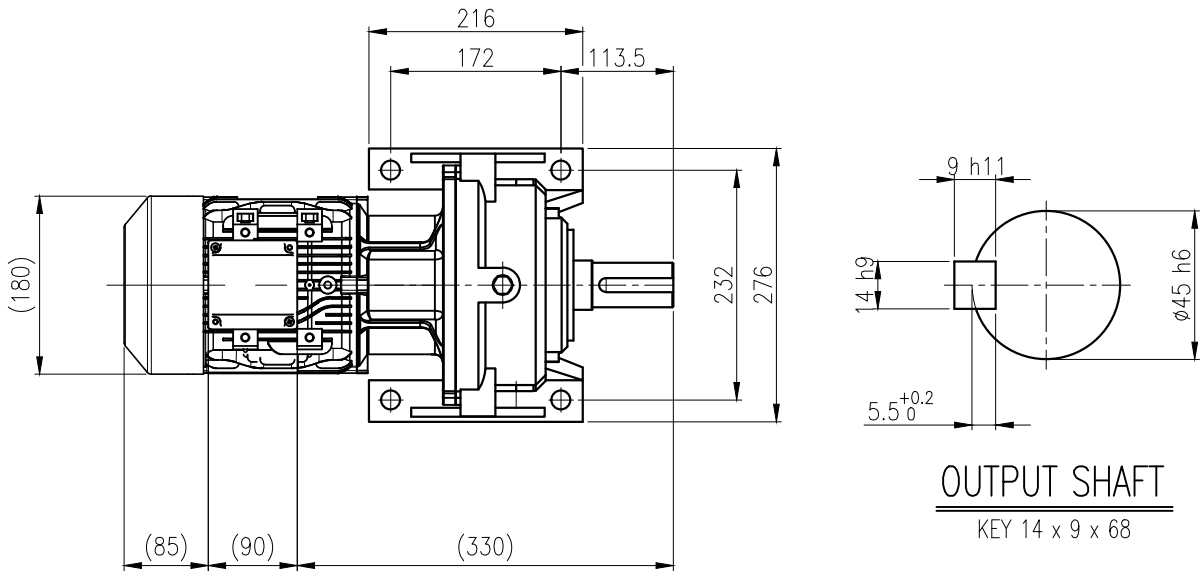
1	2	3	4	5				
No.	NAME	MATERIAL	DWG/MATL No.	CODE	Q'TY	SIZE	WEIGHT	REMARK
					0			

A

A

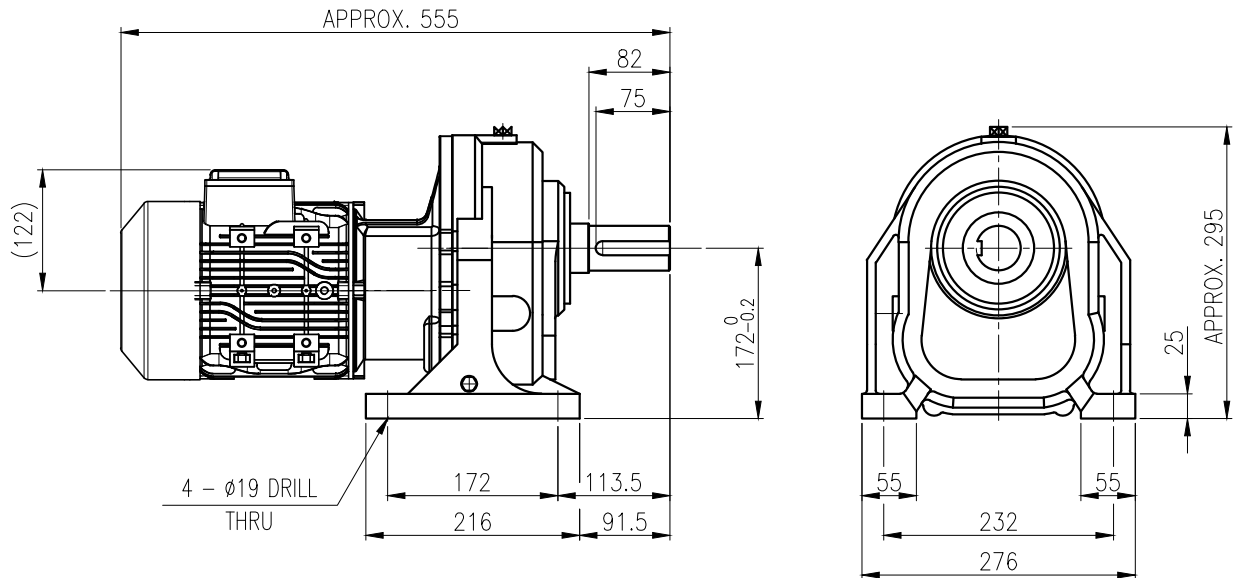
B

B



C

C



D

D

		BEARING			
		INPUT SHAFT	6204ZZ	6205ZZ	
OIL SEAL		2ND PINION	6204ZZ	6203ZZ	GREASE : NLGI(EP)00
MOTOR SHAFT	D(M) 25 x 38 x 8	3RD PINION	6205ZZ	6305ZZ	ABOUT 0.9 kg
OUTPUT SHAFT	D(M) 50 x 72 x 12	OUTPUT SHAFT	PM3530	6310ZZ	WEIGHT 55 Kg

F

		외형도 OUTLINE DIMENSION					
		DWG NAME		UNIT		mm	
		DWG No. EK2DO100006H0001		SCALE		1:1	
No.	DATE	DESIGNER		DESIGNED	CHECKED	REVIEWED	APPROVED
DESCRIPTION of REVISION				22.02.14	22.02.14	22.02.14	22.02.14
				YUN.H.J	KIM.H.M	JUNG.S.S	HONG.W.C
TYPE		F1HA_17_1.5kW_40~120:1_프리미엄		DATE		2022-02-14	
		REF. No.		-		REVISION No. 01	
						THIRD ANGLE PROJECTION	
						A	

이 도면상에 표시된 정보는 호성중공업(주)의 소유이며 당사의 사전 서면동의 없이 무단사용을 금합니다.