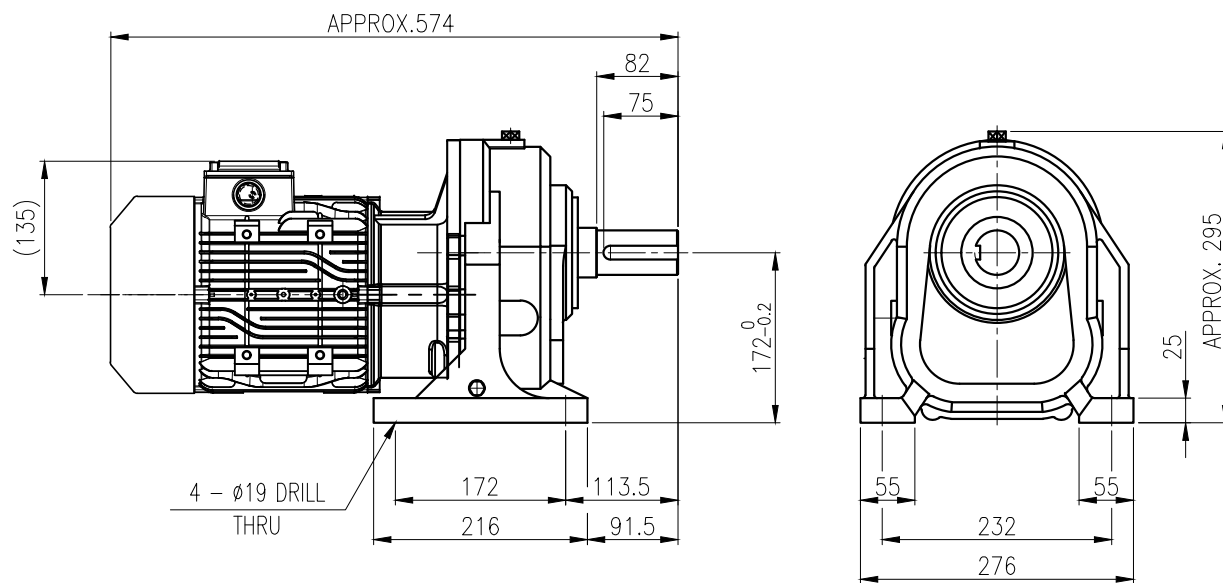
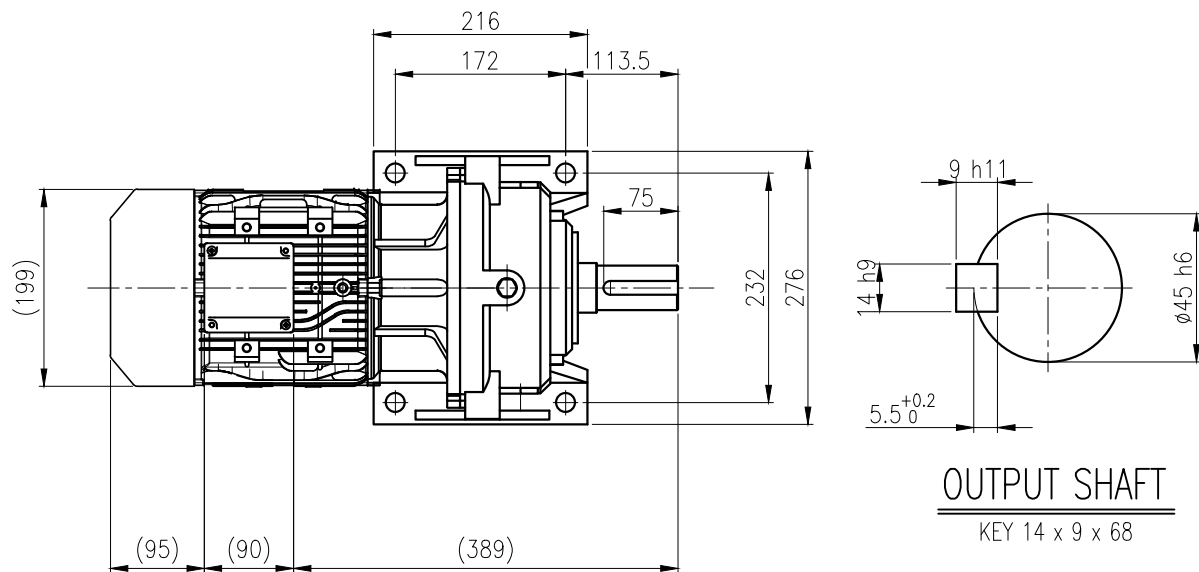


| 1 | 2 | 3 | 4 | 5 | | | | |
|-----|------|----------|--------------|------|------|------|--------|--------|
| No. | NAME | MATERIAL | DWG/MATL No. | CODE | Q'TY | SIZE | WEIGHT | REMARK |
| | | | | | 0 | | | |



| | | | | | |
|--------------|-------------------|--------------|---------------|---------------|---------------------|
| | | | BEARING | | |
| | | | INPUT SHAFT | 6205ZZ 6207ZZ | |
| | OIL SEAL | | 2ND PINION | 6205ZZ 6305ZZ | GREASE : NLGI(EP)00 |
| MOTOR SHAFT | D(M) 35 x 47 x 7 | | 3RD PINION | - - | ABOUT 1.0 kg |
| OUTPUT SHAFT | D(M) 50 x 72 x 12 | OUTPUT SHAFT | PM3530 6310ZZ | | WEIGHT 64 kg |

| | | | | | | | |
|-----|------|-------------------------|--|--------------------------|----------|------------------------|------------|
| | | DWG NAME | | 외형도 OUTLINE DIMAENSON | | | |
| | | DWG No. | | EK2DO100005H0001 | | UNIT | mm |
| | | | | | | SCALE | 1:1 |
| No. | DATE | DESCRIPTION of REVISION | | DESIGNED | CHECKED | REVIEWED | APPROVED |
| | | | | 22.02.14 | 22.02.14 | 22.02.14 | 22.02.14 |
| | | | | YUN.H.J | KIM.H.M | JUNG.S.S | HONG.W.C |
| | | | | | | DATE | 2022-02-14 |
| | | | | | | REVISION No. | 01 |
| | | | | | | THIRD ANGLE PROJECTION | |
| | | | | | | REF. No. | - |
| | | | | | | (A) | |

The information written in this drawing is HYOSUNG HEAVY INDUSTRIES's property, and may not be disclosed and/or reproduced without the prior official permission of HYOSUNG HEAVY INDUSTRIES Corp.

이 도면상에 표시된 정보는 호성중공업(주)의 소유이며 당사의 사전 서면동의 없이 무단사용을 금합니다.