

1	2	3	4	5				
No.	NAME	MATERIAL	DWG/MATL No.	CODE	Q'TY	SIZE	WEIGHT	REMARK
					0			

A

A

B

B

C

C

D

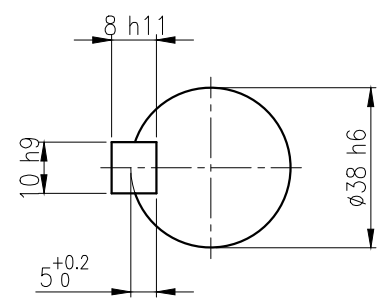
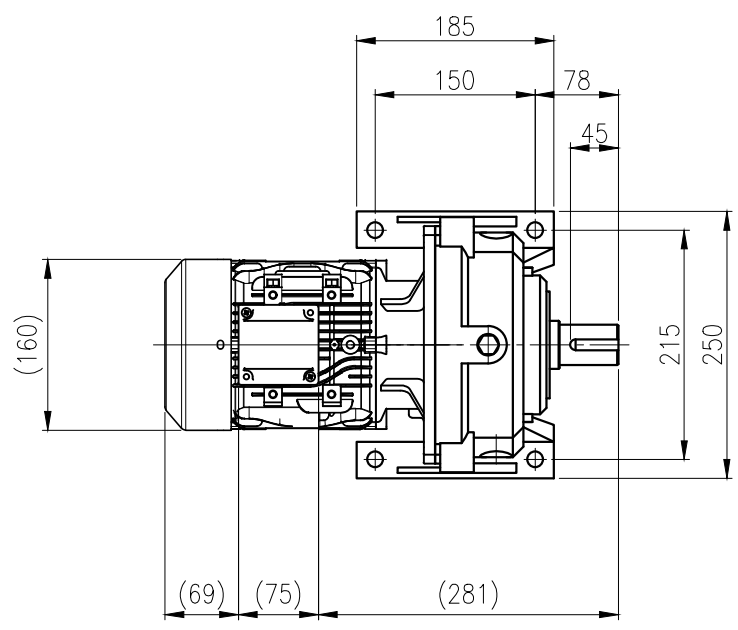
D

E

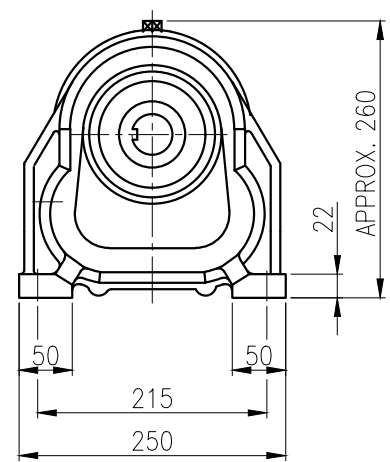
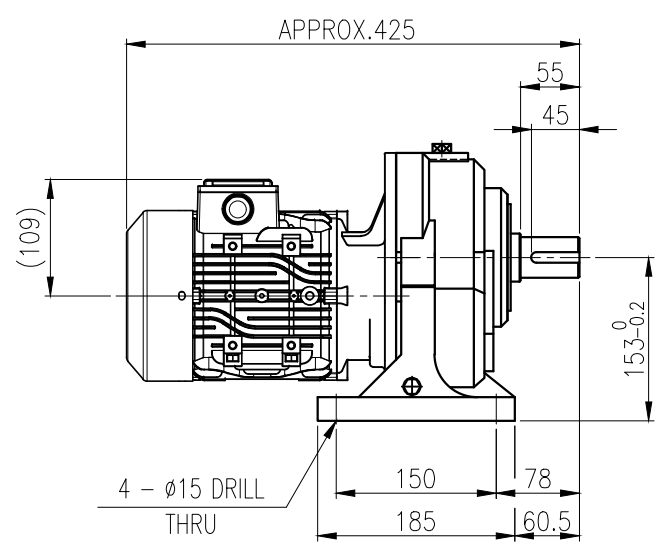
E

F

F



OUTPUT SHAFT
KEY 10 x 8 x 40



		BEARING			
		INPUT SHAFT	6203ZZ	6204ZZ	
OIL SEAL		2ND PINION	6203ZZ	6202ZZ	GREASE : NLGI(EP)00
MOTOR SHAFT	D(M) 20 x 32 x 8	3RD PINION	6204ZZ	6304ZZ	ABOUT 0.6 kg
OUTPUT SHAFT	D(M) 45 x 62 x 12	OUTPUT SHAFT	PM3030	6309ZZ	WEIGHT 47 Kg

DWG NAME		외형도 OUTKUNE DIMENSION			
DWG No.		EK2DO100003H0001		UNIT	mm
				SCALE	1:1
No.	DATE	DESIGNED	CHECKED	REVIEWED	APPROVED
		22.02.14	22.02.14	22.02.14	22.02.14
		YUN.H.J	KIM.H.M	JUNG.S.S	HONG.W.C
DESCRIPTION of REVISION		DATE	2022-02-14		
		REVISION No.	01		
		THIRD ANGLE PROJECTION			
REF. No.		-			(A)

HYOSUNG HEAVY INDUSTRIES
 TYPE F1HA_15_0.75kW_40~120:1_프리미엄
 A4(210X297mm) FORM CE-14-0100-444 2013.11.20

이 도면상에 표시된 정보는 표상공급(주)의 소유이며 당사의 사전 서면동의 없이 무단사용을 금합니다.