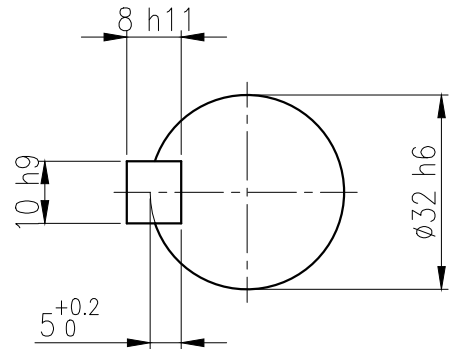
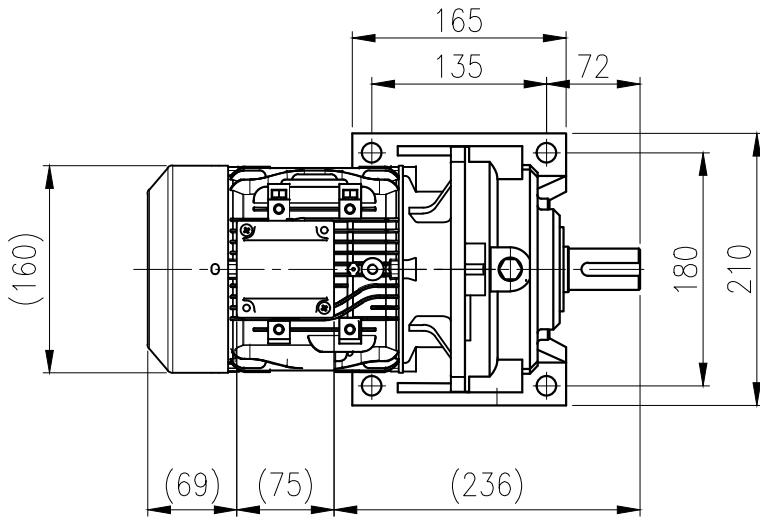
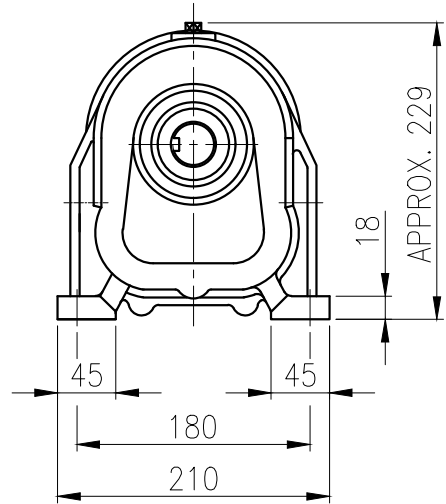
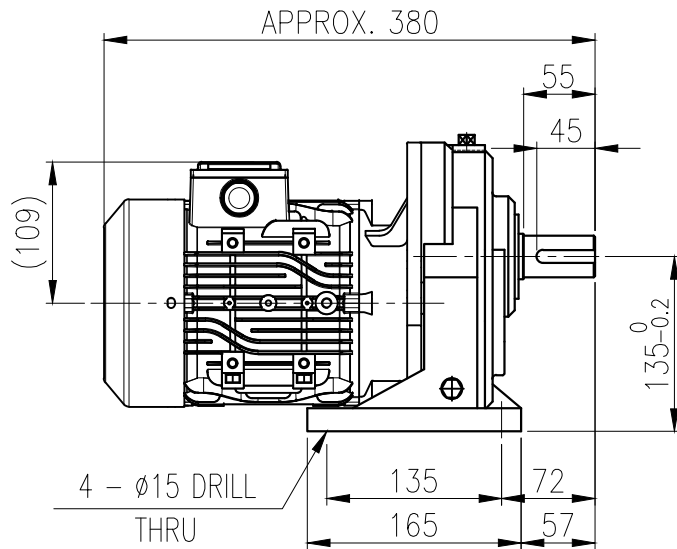


1	2		3		4		5	
No.	NAME	MATERIAL	DWG/MATL No.	CODE	Q'TY	SIZE	WEIGHT	REMARK
					0			



OUTPUT SHAFT
KEY 10 x 8 x 40



		BEARING			
		INPUT SHAFT	6203ZZ	6204ZZ	
OIL SEAL		2ND PINION	6202ZZ	6202ZZ	GREASE : NLGI(EP)00
MOTOR SHAFT	D(M) 20 x 32 x 8	3RD PINION	-	-	ABOUT 0.4 kg
OUTPUT SHAFT	D(M) 35 x 55 x 11	OUTPUT SHAFT	PM2525	6207ZZ	WEIGHT 36 kg

		DWG NAME		외형도 OUTLINE DIMENSION	
		DWG No.		EK2DO100001H0001	
		UNIT		mm	
		SCALE		1:1	
No.	DATE	DESIGNER		DESIGNED	CHECKED
		DESCRIPTION of REVISION		REVIEWED	APPROVED
				DATE	2022-02-14
A4(210X297mm)		FORM		REVISION No. 01	
CE-14-0100-444		2013.11.20		THIRD ANGLE PROJECTION	
HYOSUNG HEAVY INDUSTRIES		TYPE		F1HA_13_0.75kW_5~30:1_프리미엄	
		REF. No.		-	
				A	

The information written in this drawing is HYOSUNG HEAVY INDUSTRIES's property, and may not be disclosed and/or reproduced without the prior official permission of HYOSUNG HEAVY INDUSTRIES Corp.

이 도면상에 표시된 정보는 호성중공업(주)의 소유이며 당사의 사전 서면동의 없이 무단사용을 금합니다.