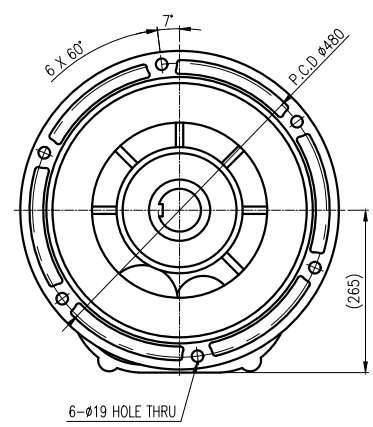
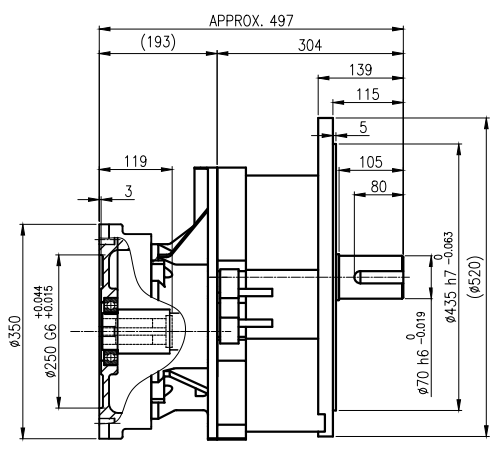
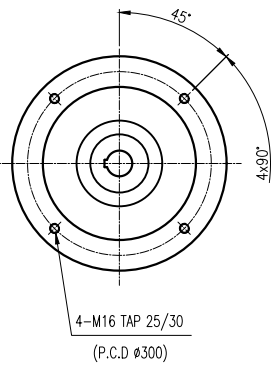
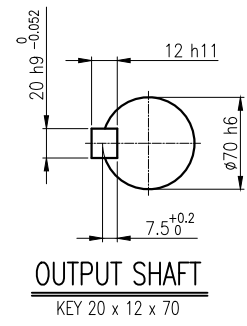
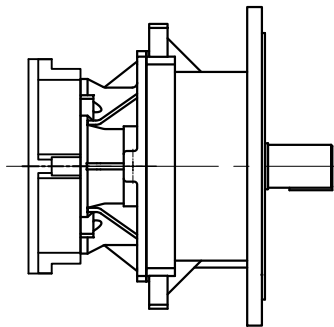
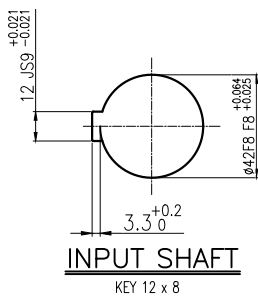


No.	NAME	MATERIAL	DWG/MATL No.	CODE	Q'TY	SIZE	WEIGHT	REMARK
					0			



		BEARING			
		INPUT SHAFT	6212ZZ	6212ZZ	
OIL SEAL		2ND PINION	6307ZZ	6308ZZ	GREASE : NLGI(EP)00
MOTOR SHAFT	D(M)45x68x12	3RD PINION	-	-	ABOUT 9.0 kg
OUTPUT SHAFT	D(M)75x100x13	OUTPUT SHAFT	6311ZZ	21315	WEIGHT 157 kg

		DWG NAME		외형도 OUTLINE DIMENSION			
		DWG No.		EK2D008395		UNIT	mm
						SCALE	1:1
No.	DATE	DESCRIPTION of REVISION		DESIGNED	CHECKED	REVIEWED	APPROVED
				KIM.H.M		HONG.W.C	JUNG.C.S
				DATE	2022-04-11		
				REVISION No.	02		
				THIRD ANGLE PROJECTION			
A4(210x297mm)		FORM					
CE-14-0100-4A4		2013.11.20					
TYPE		F1VF_27_15kW_15~30:1_프리미엄		REF. No.		-	

HYOSUNG HEAVY INDUSTRIES

(A)

이 도면에 표시된 정보는 호성중공업(주)의 소유이며 당사의 사전 서면동의 없이 무단사용을 금합니다.