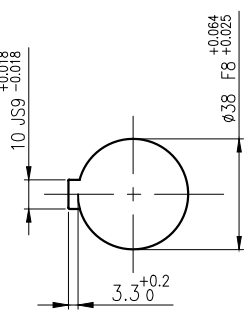
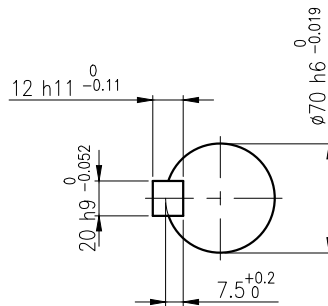
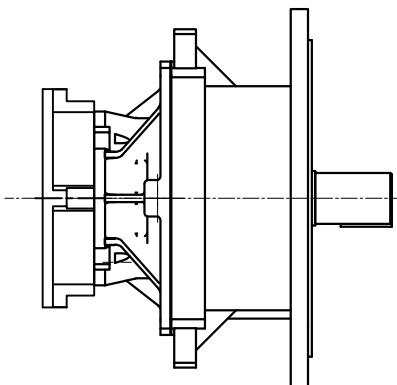


1	2	3	4	5				
No.	NAME	MATERIAL	DWG/MATL No.	CODE	Q'TY	SIZE	WEIGHT	REMARK
					0			



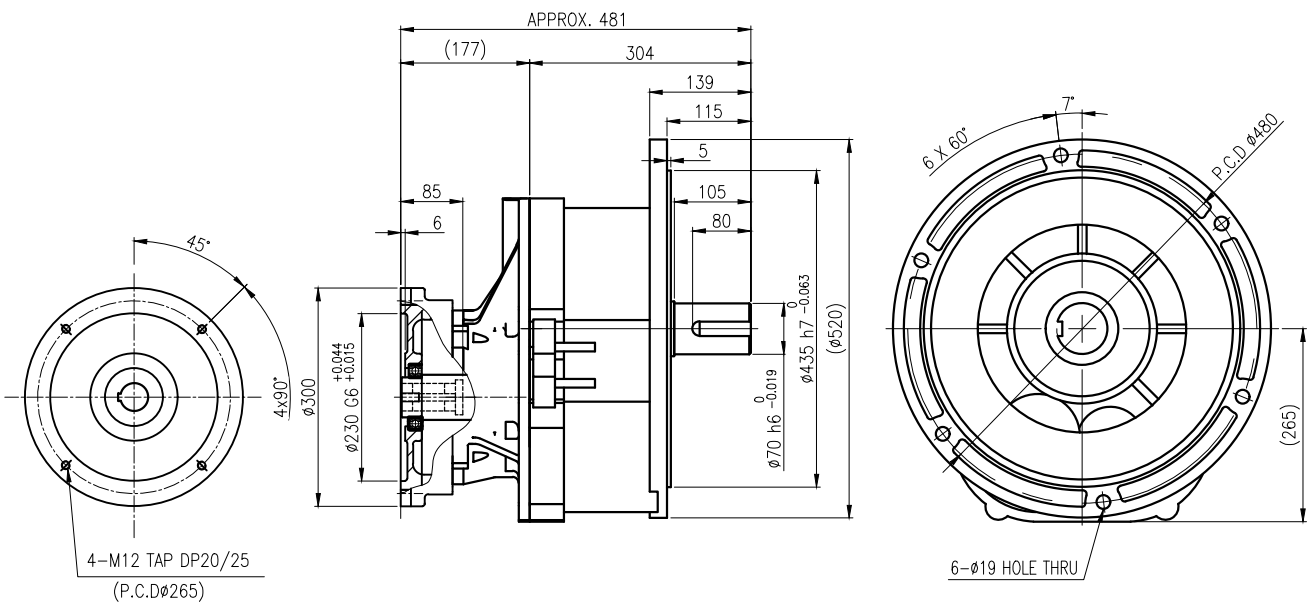
INPUT SHAFT

KEY 10 x 8



OUTPUT SHAFT

KEY 20 x 12 x 70



		BEARING			
OIL SEAL		2ND PINION	6306ZZ	6306ZZ	GREASE : NLGI(EP)00
MOTOR SHAFT	D(M)40x62x11	3RD PINION	6307ZZ	6308ZZ	ABOUT 8.9 kg
OUTPUT SHAFT	D(M)75x100x13	OUTPUT SHAFT	6311ZZ	21315	WEIGHT 134 kg

DWG NAME		외형도 OUTLINE DIMENSION			
DWG No.		EK2D008392		UNIT	mm
				SCALE	1:1
No.	DATE	DESIGNED	CHECKED	REVIEWED	APPROVED
		KIM.H.M		HONG.W.C	JUNG.C.S
DESCRIPTION of REVISION		DATE	2022-04-11		
		REVISION No.	01		
		THIRD ANGLE PROJECTION			
TYPE		REF. No.	-		
		A			



FORM CE-14-0100-444 2013.11.20
TYPE F1VF_27_5.5kW_60~100:1_프리미엄

이 도면상에 표시된 정보는 최종공정(주)의 소유이며 당사의 사전 서면동의 없이 무단사용을 금합니다.