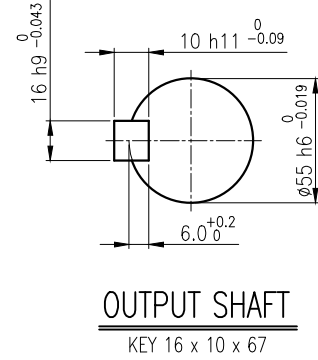
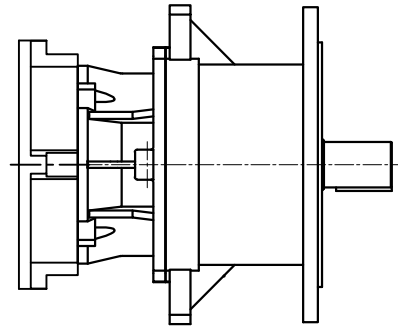
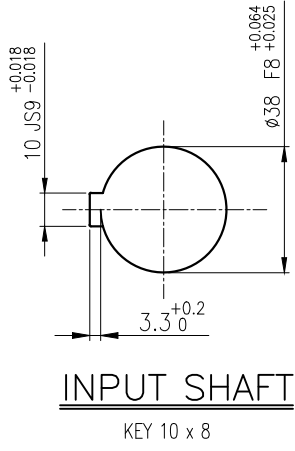


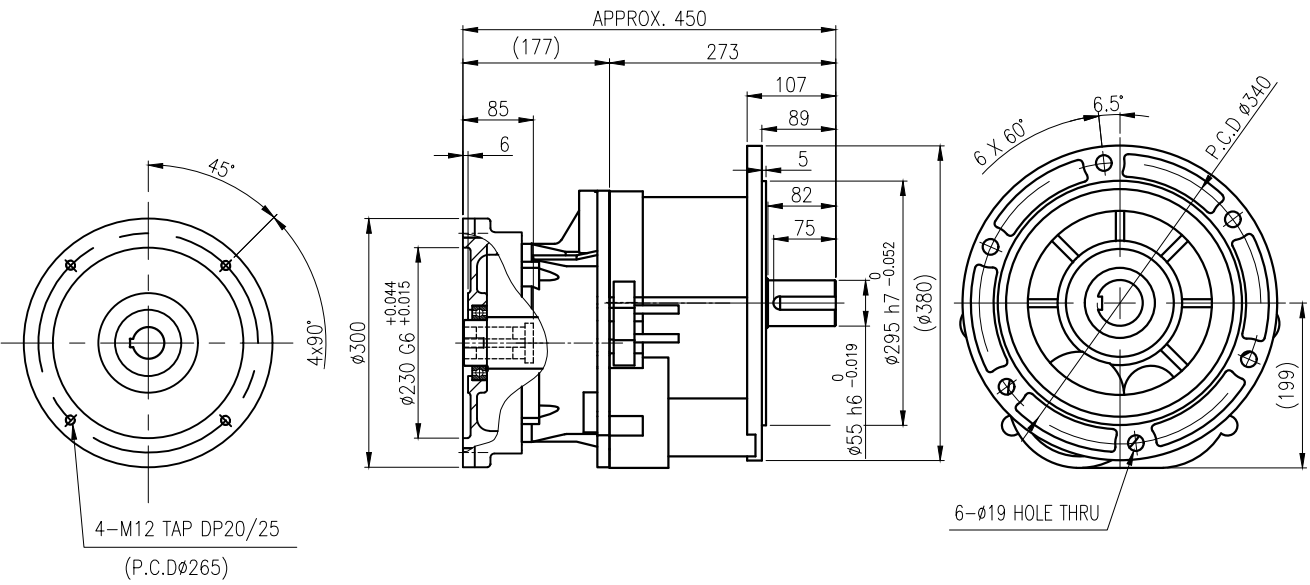
1	2	3	4	5				
No.	NAME	MATERIAL	DWG/MATL No.	CODE	Q'TY	SIZE	WEIGHT	REMARK
					0			

A



B

C



D

		BEARING		
		INPUT SHAFT	6011ZZ 6308ZZ	
OIL SEAL		2ND PINION	6208ZZ 6308ZZ	GREASE : NLGI(EP)00
MOTOR SHAFT	D(M) 40x62x11	3RD PINION	-	ABOUT 4.6 kg
OUTPUT SHAFT	D(M) 60x85x12	OUTPUT SHAFT	PM4530 22212	WEIGHT 79 kg

		DWG NAME		외형도 OUTLINE DIMENSION	
		DWG No.		EK2D008385	UNIT mm
				SCALE	1:1
No.	DATE	DESCRIPTION of REVISION		DESIGNED	CHECKED
				REVIEWED	APPROVED
				DATE	2022-04-11
A4(210X297mm) FORM CE-14-0100-444 2013.11.20		HYOSUNG HEAVY INDUSTRIES		KIM.H.M	HONG.W.C JUNG.C.S
TYPE		F1VF_20_5.5W_30:1_프리미엄		REVISION No.	01
		REF. No.		THIRD ANGLE PROJECTION	
				A	

이 도면상에 표시된 정보는 호성중공업(주)의 소유이며 당사의 사전 서면동의 없이 무단사용을 금합니다.