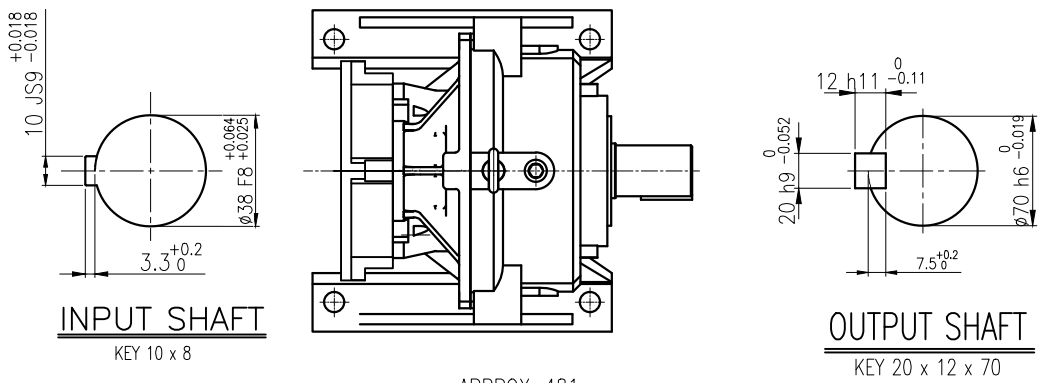


1	2	3	4	5				
No.	NAME	MATERIAL	DWG/MATL No.	CODE	Q'TY	SIZE	WEIGHT	REMARK
					0			

A

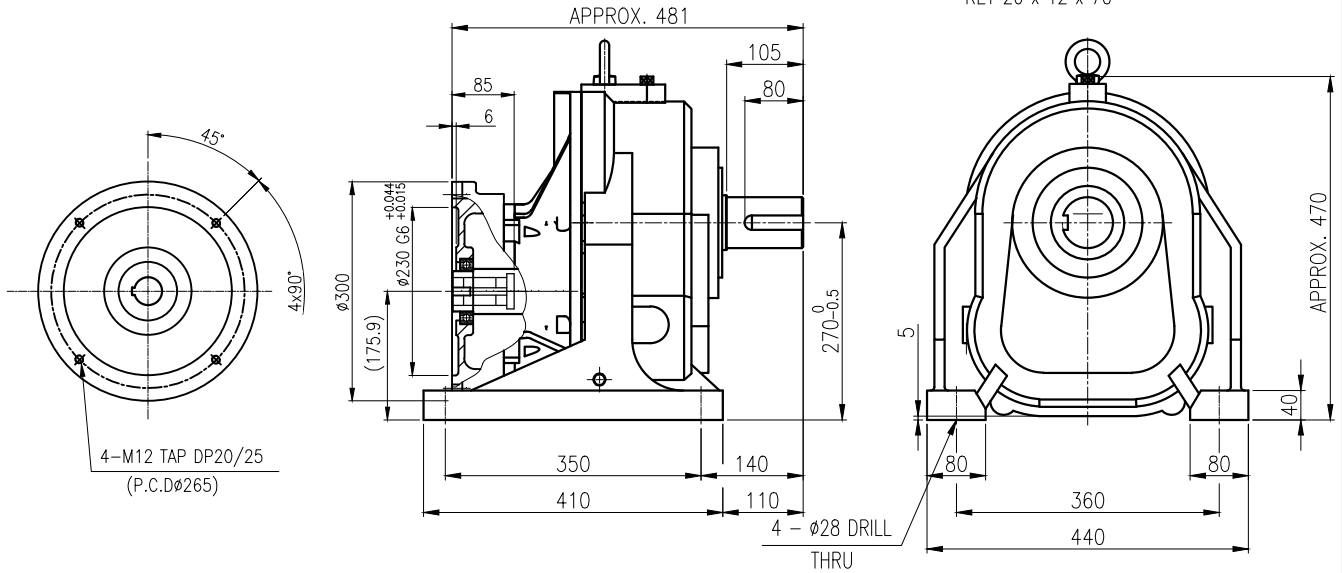
B



INPUT SHAFT
KEY 10 x 8

OUTPUT SHAFT
KEY 20 x 12 x 70

C



D

E

		BEARING			
		INPUT SHAFT	6011ZZ	6308ZZ	
OIL SEAL		2ND PINION	6306ZZ	6306ZZ	GREASE : NLGI(EP)00
MOTOR SHAFT	D(M)40x62x11	3RD PINION	6307ZZ	6308ZZ	ABOUT 3.0 kg
OUTPUT SHAFT	D(M)75x100x13	OUTPUT SHAFT	6311ZZ	21315	WEIGHT 123 kg

F

		DWG NAME				외형도 OUTLINE DIMENSION	
		DWG No.				EK2D008380	UNIT mm
						SCALE	1:1
No.	DATE	DESCRIPTION of REVISION		DESIGNED	CHECKED	REVIEWED	APPROVED
				KIM.H.M		HONG.W.C	JUNG.C.S
DATE						DATE	2022-04-12
REVISION No.						01	
THIRD ANGLE PROJECTION							
TYPE		F1HF_27_7.5kW_40~60:1_프리미엄		REF. No.		-	
A4(210X297mm) FORM CE-14-0100-444 2013.11.20		HYOSUNG HEAVY INDUSTRIES				A	

이 도면상에 표시된 정보는 호성중공업(주)의 소유이며 당사의 사전 서면동의 없이 무단사용을 금합니다.