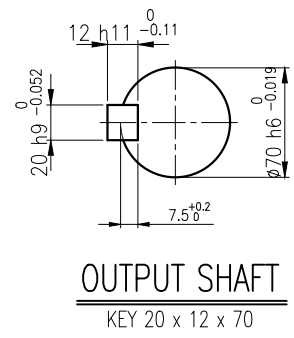
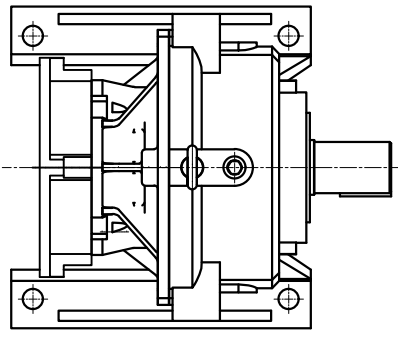
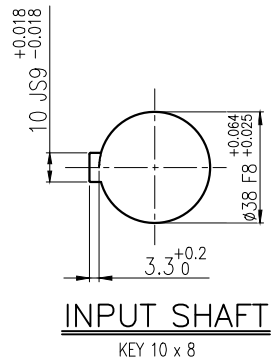


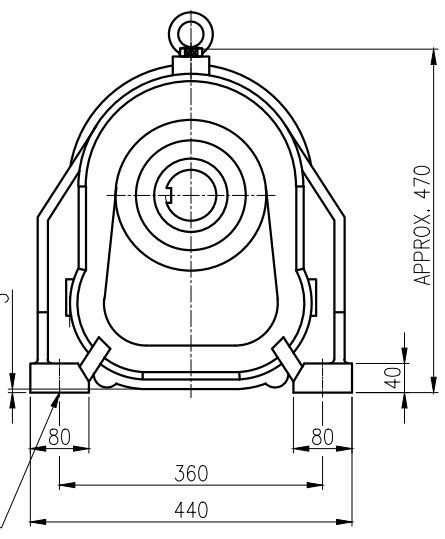
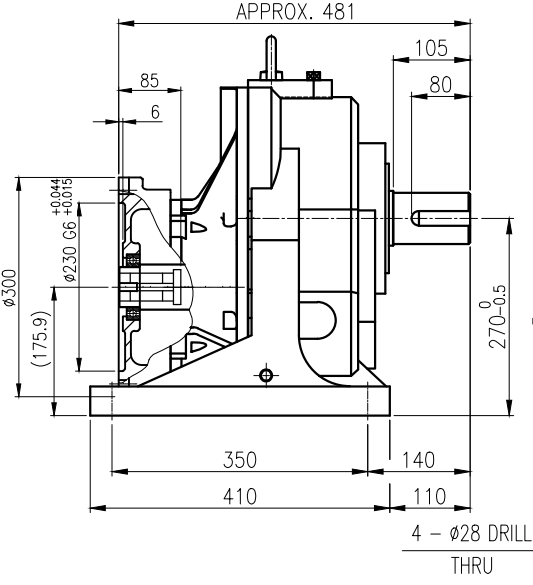
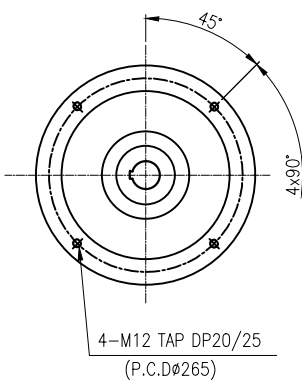
1	2	3	4	5				
No.	NAME	MATERIAL	DWG/MATL No.	CODE	Q'TY	SIZE	WEIGHT	REMARK
					0			

A

B



C



D

E

		BEARING			
OIL SEAL		2ND PINION	6306ZZ	6306ZZ	GREASE : NLGI(EP)00
MOTOR SHAFT	D(M)40x62x11	3RD PINION	6307ZZ	6308ZZ	ABOUT 3.0 kg
OUTPUT SHAFT	D(M)75x100x13	OUTPUT SHAFT	6311ZZ	21315	WEIGHT 123 kg

F

		외형도 OUTLINE DIMENSION							
		DWG No. EK2D008379		UNIT mm					
				SCALE 1:1					
No.	DATE	DESCRIPTION of REVISION		DESIGNED	CHECKED	REVIEWED	APPROVED	DATE	2022-04-12
A4(210x297mm)	FORM CE-14-0100-444 2013.11.20			KIM.H.M		HONG.W.C	JUNG.C.S	REVISION No.	01
TYPE F1HF_27_5.5kW_60~100:1_프리미엄				REF. No.	-		THIRD ANGLE PROJECTION		

이 도면상에 표시된 정보는 호성중공업(주)의 소유이며 당사의 사전 서면동의 없이 무단사용을 금합니다.