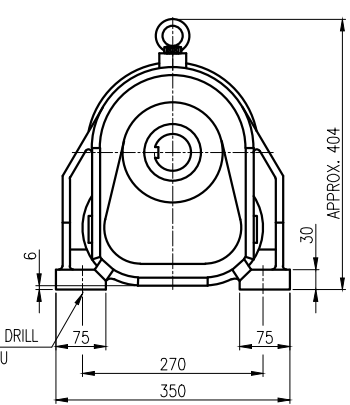
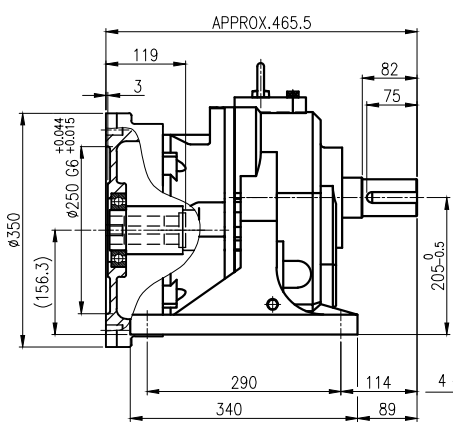
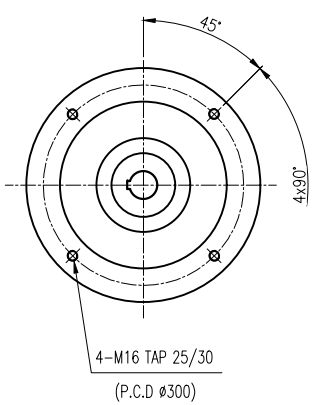
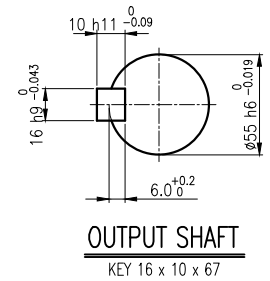
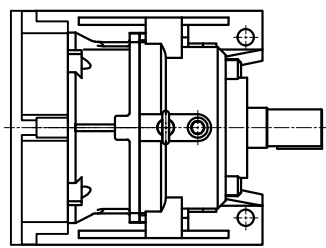
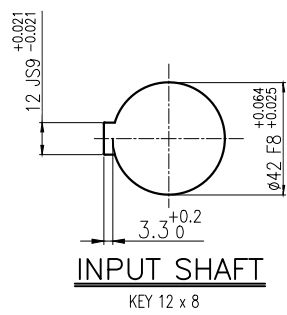


	1	2	3	4	5
No.	NAME	MATERIAL	DWG/MATL No.	CODE	Q'TY
					0
				SIZE	WEIGHT
					REMARK



		BEARING		
		INPUT SHAFT	6212ZZ 6212ZZ	
	OIL SEAL	2ND PINION	6208ZZ 6308ZZ	GREASE : NLGI(EP)00
MOTOR SHAFT	D(M)45x68x12	3RD PINION	- -	ABOUT 1.5 kg
OUTPUT SHAFT	D(M)60x85x12	OUTPUT SHAFT	PM4530 22212	WEIGHT 98 kg

F	No.	DATE	DESCRIPTION of REVISION	DWG NAME	외형도 OUTLINE DIMENSION			
	A4(210x297mm) FORM CE-14-0100-444 2013.11.20	HYOSUNG HEAVY INDUSTRIES	TYPE F1HF_20_11kW_5~10:1_프리미엄	DWG No.	EK2D008374	UNIT	mm	
				DESIGNED	CHECKED	REVIEWED	APPROVED	SCALE
				KIM.H.M	HONG.W.C	JUNG.C.S	DATE 2022-04-11	
							REVISION No. 02	
							THIRD ANGLE PROJECTION	
				REF. No.	-			(A)

The information written in this drawing is HYOSUNG HEAVY INDUSTRIES's property, and may not be disclosed and/or reproduced without the prior official permission of HYOSUNG HEAVY INDUSTRIES Corp.

이 도면상에 표시된 정보는 표상중량(단)의 소유이며 영사의 사전 서면동의 없이 무단사용을 금합니다.