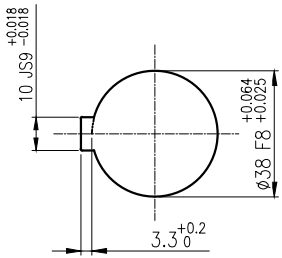
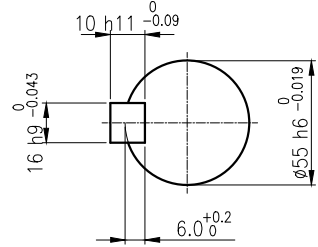
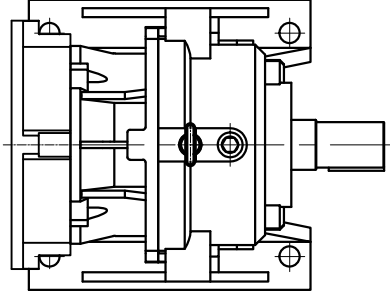


1	2	3	4	5				
No.	NAME	MATERIAL	DWG/MATL No.	CODE	Q'TY	SIZE	WEIGHT	REMARK
					0			

A



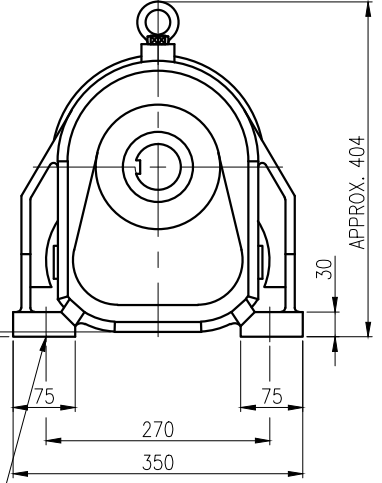
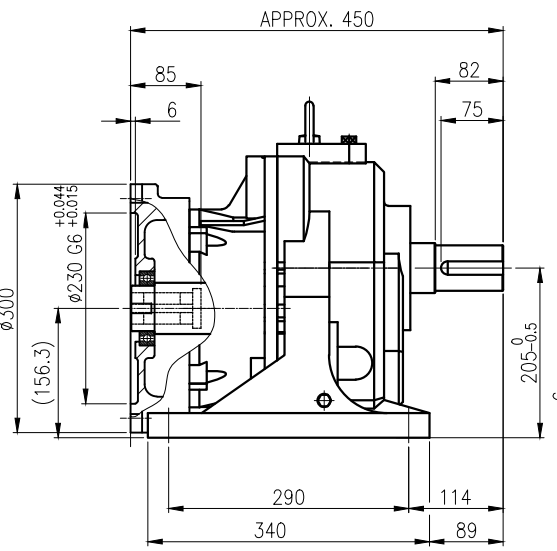
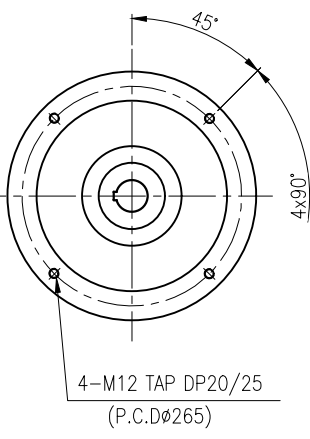
INPUT SHAFT
KEY 10 x 8



OUTPUT SHAFT
KEY 16 x 10 x 67

B

C



D

E

		BEARING		
		INPUT SHAFT	6011ZZ 6308ZZ	
OIL SEAL		2ND PINION	6208ZZ 6308ZZ	GREASE : NLGI(EP)00
MOTOR SHAFT	D(M)40x62x11	3RD PINION	-	ABOUT 1.5 kg
OUTPUT SHAFT	D(M)60x85x12	OUTPUT SHAFT	PM4530 22212	WEIGHT 75 kg

F

		DWG NAME		외형도 OUTLINE DIMENSION	
		DWG No.		EK2D008372	UNIT mm
				SCALE	1:1
No.	DATE	DESCRIPTION of REVISION		DESIGNED	CHECKED
				REVIEWED	APPROVED
				DATE	2022-04-11
A4(210x297mm)		FORM		REVISION No. 01	
CE-14-0100-444		2013.11.20		THIRD ANGLE PROJECTION	
TYPE		F1HF_20_5.5kW_30:1_프리미엄		REF. No.	-
				A	

The information written in this drawing is HYOSUNG HEAVY INDUSTRIES's property, and may not be disclosed and/or reproduced without the prior official permission of HYOSUNG HEAVY INDUSTRIES Corp.

이 도면상에 표시된 정보는 호성중공업(주)의 소유이며 당사의 사전 서면동의 없이 무단사용을 금합니다.