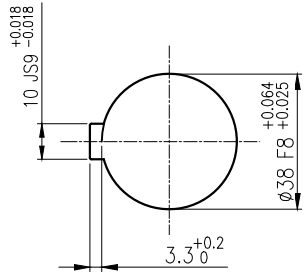
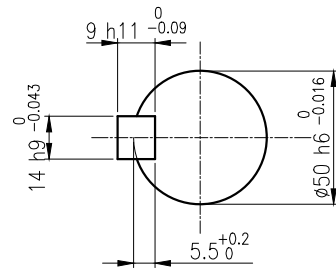
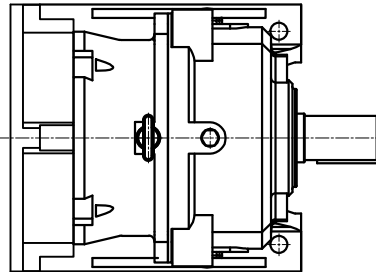


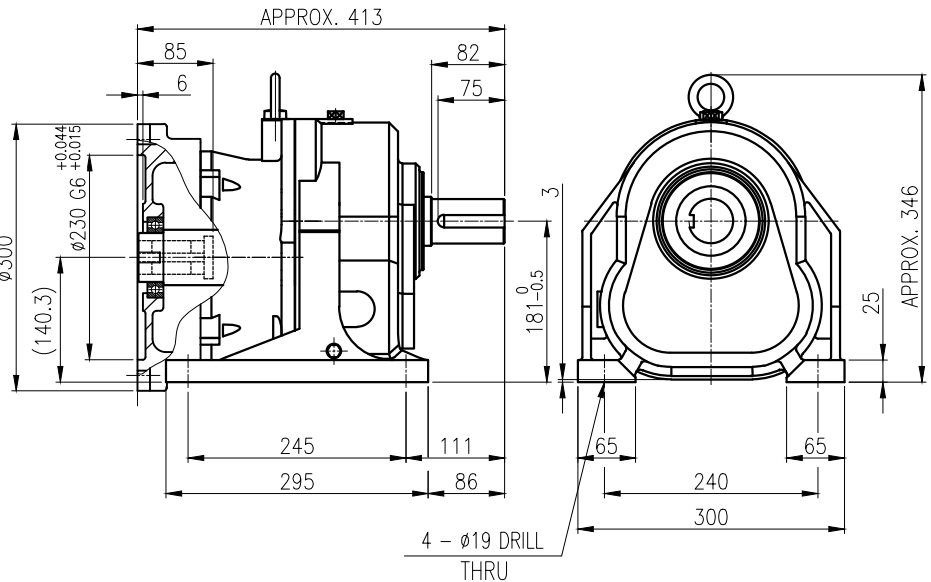
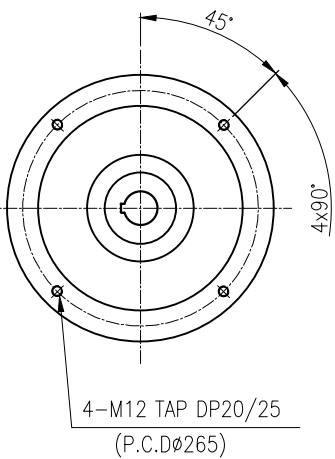
1	2	3	4	5				
No.	NAME	MATERIAL	DWG/MATL No.	CODE	Q'TY	SIZE	WEIGHT	REMARK
					0			



**INPUT SHAFT**  
KEY 10 x 8



**OUTPUT SHAFT**  
KEY 14 x 9 x 68



		BEARING			
		INPUT SHAFT	6011ZZ 6308ZZ		
OIL SEAL		2ND PINION	6206ZZ 6307ZZ	GREASE : NLGI(EP)00	
MOTOR SHAFT	D(M)40x62x11	3RD PINION	-	ABOUT 1.0 kg	
OUTPUT SHAFT	D(M)55x78x12	OUTPUT SHAFT	PM3530 22211	WEIGHT 55 kg	

		외형도 OUTLINE DIMENSION			
		DWG No. EK2D008371		UNIT	mm
				SCALE	1:1
No.	DATE	DESCRIPTION of REVISION		DESIGNED	2022-04-11
		KIM.H.M	HONG.W.C	APPROVED	DATE
				JUNG.C.S	REVISION No. 01
				THIRD ANGLE PROJECTION	
A4(210X297mm) FORM CE-14-0100-444 2013.11.20		HYOSUNG HEAVY INDUSTRIES		REF. No.	-
TYPE		F1HF_18_7.5kW_5~10:1_프리미엄		A	

The information written in this drawing is HYOSUNG HEAVY INDUSTRIES's property, and may not be disclosed and/or reproduced without the prior official permission of HYOSUNG HEAVY INDUSTRIES Corp.

이 도면상에 표시된 정보는 호성중공업(주)의 소유이며 당사와의 사전 서면동의 없이 무단사용을 금합니다.