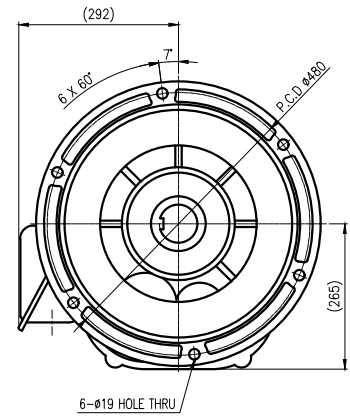
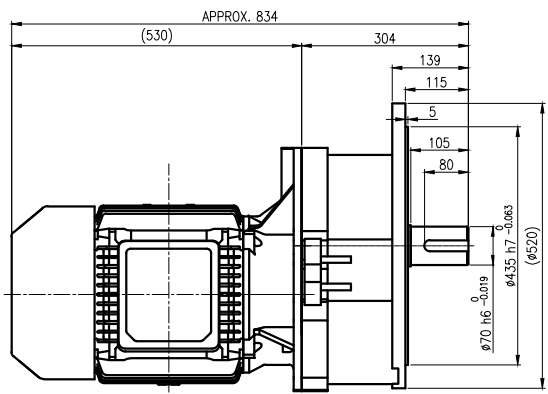
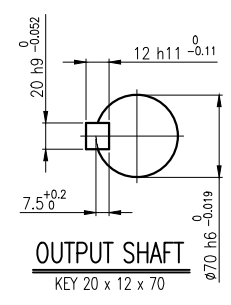
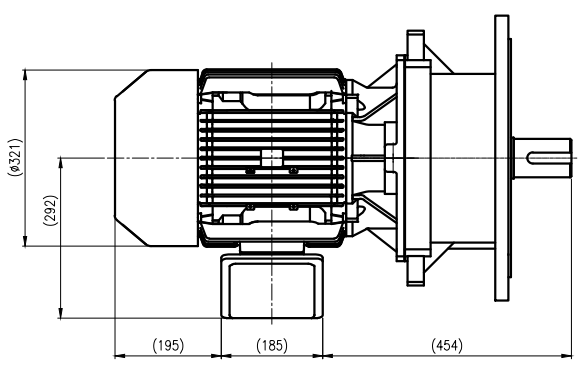


1	2	3	4	5				
No.	NAME	MATERIAL	DWG/MATL No.	CODE	Q'TY	SIZE	WEIGHT	REMARK
					0			



		BEARING			
		INPUT SHAFT	6309ZZ	6310ZZ	
OIL SEAL		2ND PINION	6307ZZ	6308ZZ	GREASE : NLGI(EP)00
MOTOR SHAFT	D(M)45x68x12	3RD PINION	-	-	ABOUT 9.0 kg
OUTPUT SHAFT	D(M)75x100x13	OUTPUT SHAFT	6311ZZ	21315	WEIGHT 278 kg

		DWG NAME 외형도 OUTLINE DIMENSION							
		DWG No. <b>EK2DO08350H0001</b>		UNIT mm					
				SCALE 1:1					
No.	DATE	DESCRIPTION of REVISION		DESIGNED	CHECKED	REVIEWED	APPROVED	DATE	2021-08-25
A4(210X297mm)	FORM CE-14-0100-444 2013.11.20			KIM.H.U		HONG.W.C	JUNG.C.S	REVISION No.	01
TYPE F1VM_27_15kW_15~30:1_프리미엄				REF. No.					THIRD ANGLE PROJECTION

The information written in this drawing is HYOSUNG HEAVY INDUSTRIES's property, and may not be disclosed and/or reproduced without the prior official permission of HYOSUNG HEAVY INDUSTRIES Corp.

이 도면상에 표시된 정보는 호성중공업(주)의 소유이며 당사의 사전 서면동의 없이 무단사용을 금합니다.