

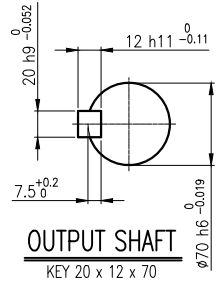
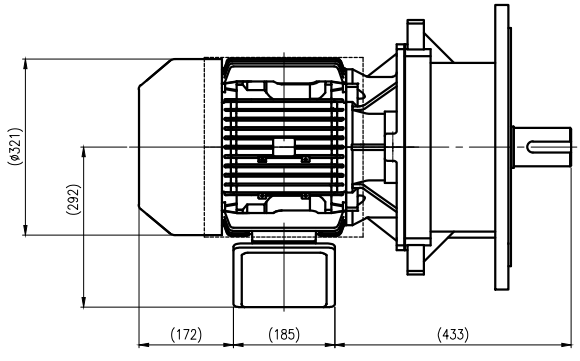
1	2	3	4	5				
No.	NAME	MATERIAL	DWG/MATL No.	CODE	Q'TY	SIZE	WEIGHT	REMARK
					0			

A

A

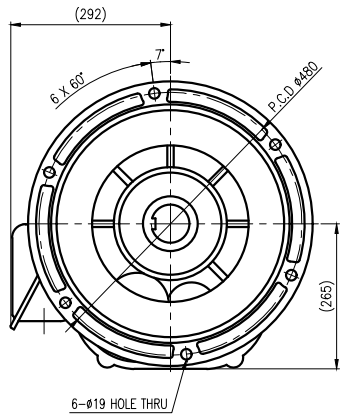
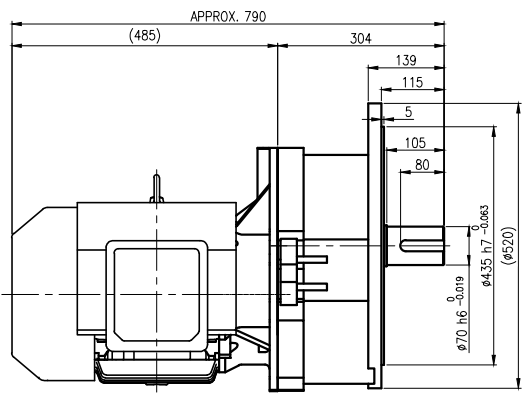
B

B



C

C



D

D

E

		BEARING		
		INPUT SHAFT	6309ZZ 6310ZZ	
OIL SEAL		2ND PINION	6307ZZ 6308ZZ	GREASE : NLGI(EP)00
MOTOR SHAFT	D(M)45x68x12	3RD PINION	-	ABOUT 9.0 kg
OUTPUT SHAFT	D(M)75x100x13	OUTPUT SHAFT	6311ZZ 21315	WEIGHT 278 kg

F

		DWG NAME		외형도 OUTLINE DIMENSION	
		DWG No.		E K 2 D O 0 8 3 4 9 W 0 0 0 1	
		UNIT		mm	
		SCALE		1:1	
No.	DATE	DESIGNED	CHECKED	REVIEWED	APPROVED
DESCRIPTION of REVISION		DATE		2021-08-25	
		DESIGNED		HONG.W.C JUNG.C.S	
		CHECKED		REVIEWED	
TYPE		REF. No.		-	
A4(210X297mm) FORM CE-14-0100-444 2013.11.20		KIM.H.U		REVISION No. 01 THIRD ANGLE PROJECTION	

이 도면상에 표시된 정보는 호성중공업(주)의 소유이며 당사의 사전 서면동의 없이 무단사용을 금합니다.